



TECHNICAL MANUAL

INSECT SCREENS

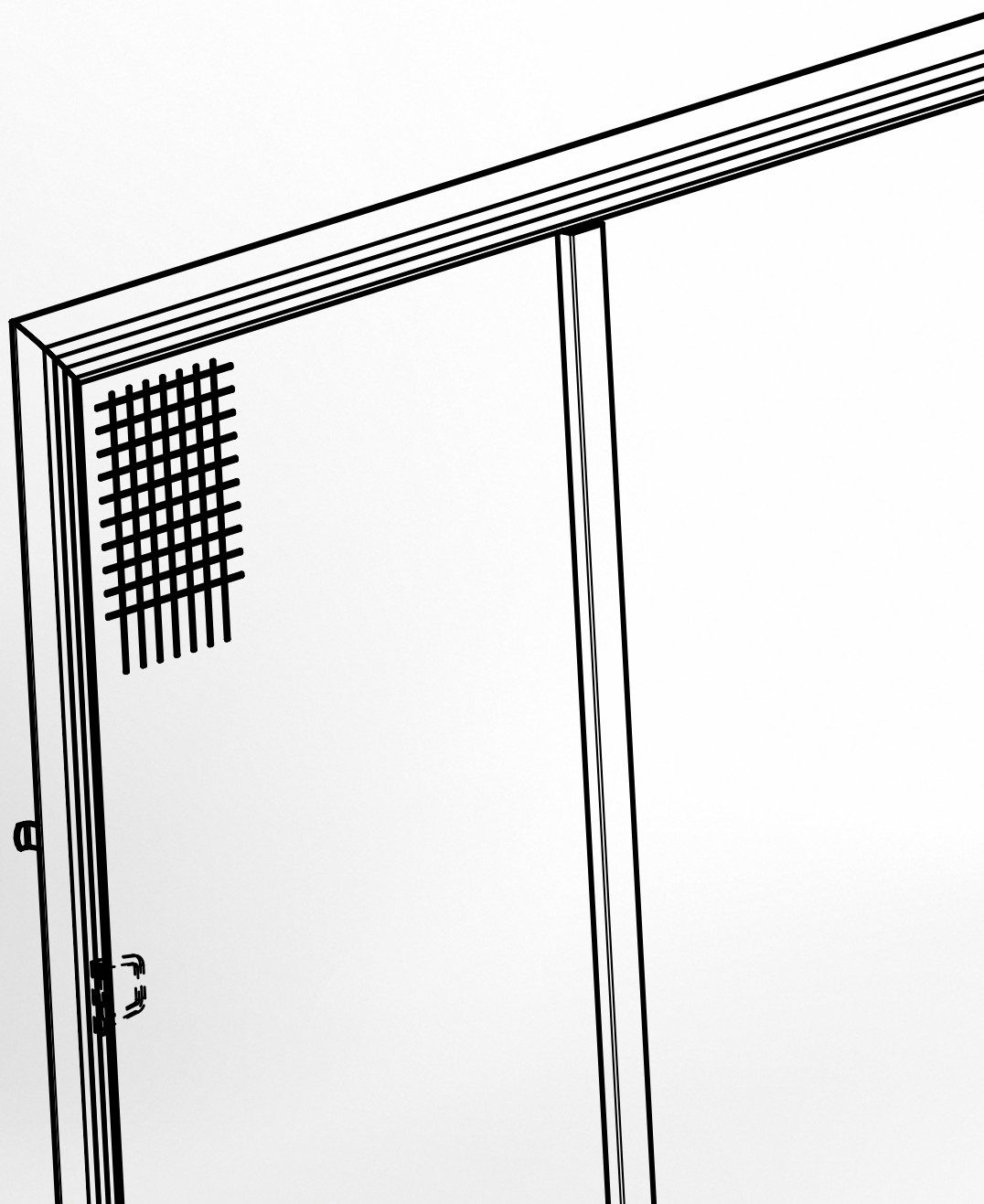


Table of Contents – Insect Screens

Insect Screen C1	3	Insect Screen G10	33
Basic Product Specification	4-5	Basic Product Specification	34-35
Measuring	6	Measuring	36
Installation	6	Installation	37 - 38
Insect Screen C2	7	Insect Screen H1	39
Basic Product Specification	8-9	Basic Product Specification	40-41
Measuring	10	Measuring	42
Installation	10	Installation	43
Insect Screen C10	11	Insect Screen H2	44
Basic Product Specification	12-13	Basic Product Specification	45-47
Measuring	14	Measuring	48
Installation	14	Installation	48
Insect Screen C11	15	Pleated insect screen PS1, PS1 V	49
Basic Product Specification	16-17	Basic Product Specification	50
Measuring	18	Measuring	51
Installation	18	Assembly into reveal	52-58
Insect Screen C20	19	Pleated insect screen PS2, PS2 V	59
Basic Product Specification	20-21	Basic Product Specification	60
Measuring	22	Profiles	61
Installation	22	Assembly into reveal	62-63
Insect Screen E	23	Pleated insect screen PS3 V	65
Basic Product Specification	24-25	Basic Product Specification	66
Measuring	26	Profiles	67
Installation	26	Assembly into reveal	68-70
Insect Screen F10	27	Pleated insect screen PS4 V	71
Basic Product Specification	28-29	Basic Product Specification	72
Measuring	30	Profiles	73
Installation	31 - 32	Assembly into reveal	74-76
		Pleated insect screen PS1, PS1 V, PS2, PS2 V, PS3 V, PS4 V	
		Measurement	77
		Assembly on the frame	78-79

ISOTRA *Quality*

A brand symbolizing years of tradition, innumerable investments into research and development, use of high-quality materials, technological advancement, reliable work of hundreds of employees and many more parameters, which together form one whole-the final product of the company ISOTRA.

Insect Screen C1

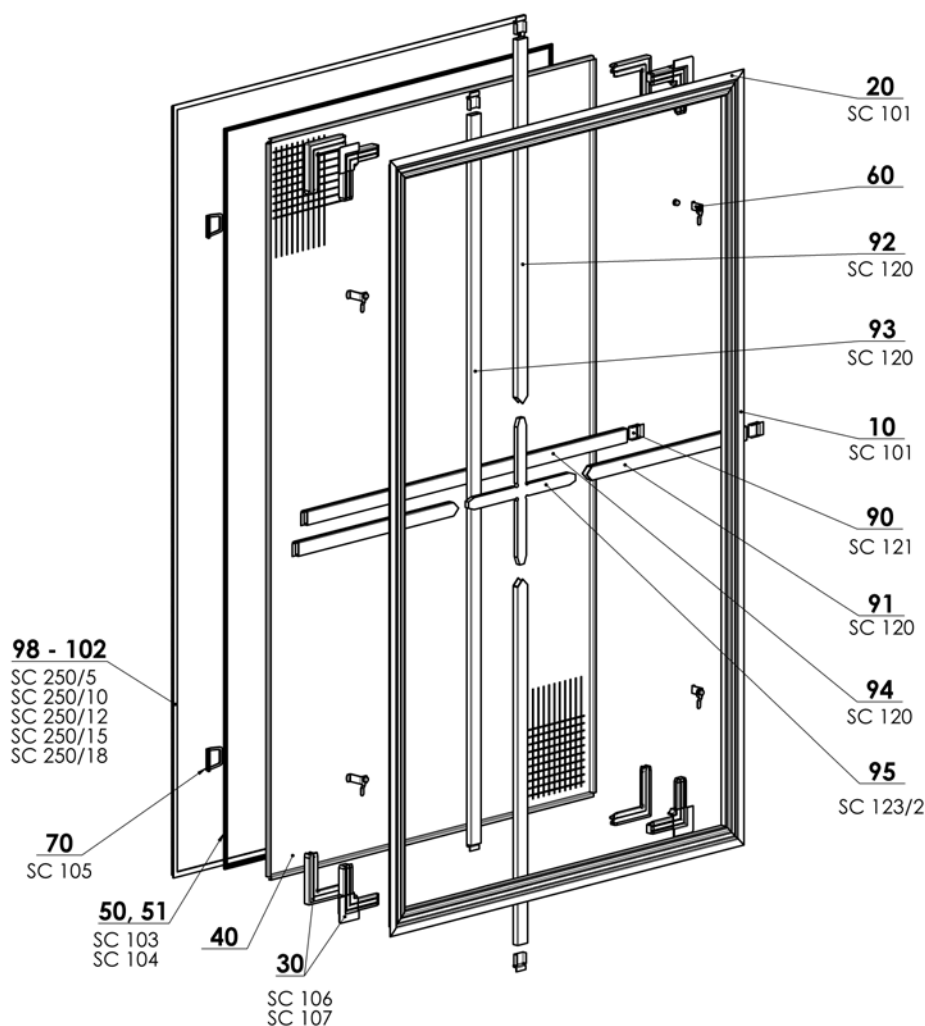


- ▲ 31 x 12 mm aluminum frame
- ▲ installation does not require any interventions in window frame
- ▲ suitable for windows without shutters
- ▲ frame color design according to RAL scheme, wood imitation or single-sided renolit-coating

ISOTRA *Quality*

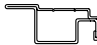
Insect Screen C1

Basic Product Specification



2-00304-XXXX-C

Specification

	Frame	Maximum Guaranteed Dimensions	Attachment Method	Installation Clips	Clip / Pin / Swivel / Box Holder Size (mm)	Flange		Mesh			
						Inner	Outer	Grey	Black	Thick	White
Commercial Name Dimension (mm) Material	SC 101 31 x 12 Al 	3,6 m ² max. h. 2000 mm max. w. 2000 mm	rotary clip	4/6*	15, 17, 18, 20, 22, 24, 26, 28, 30, 32	yes	yes	yes	yes	yes	yes

Color	Standard: RAL 9003 White (double-sided) RAL 8019 Brown (double-sided) RAL 7016 anthracite gray (double-sided)	Extra change: other RAL (double-sided) wood imitation (double-sided) renolit (single-sided)
--------------	--	--

We make atypical designs. Atypical mesh is always fitted with reinforcement and inner flanges.

* 6 clips fitted above the height of 1401 mm. The clips are always arranged evenly along the vertical screen sides (if it is not specified differently).

Rotary clip kit contains: 1 right clip, 1 left clip, 2 rivets.

Aluminum reinforcement is mounted in the case of width/height exceeding 1200 mm.

It is valid for the white mesh that one of the measures (width or height) have to be smaller than 1450 mm.

For reinforced netting, one of the dimensions (width or height) must be less than 1150 mm.

For black and gray netting, one of the dimensions (width or height) must be less than 1750 mm.

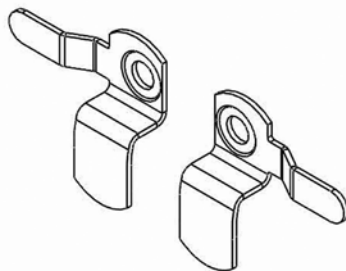
Insect Screen C1 (2-00304-0000)

Position	Name of components	Abbreviation	Number of tech. drawing
10-20	Profile Al - C1	SC 101	6-001421-xxxx
30	Angle, plastic C1 external	SC 106	6-001424-xxxx
30	Angle, plastic C1 internal	SC 107	3-00330-0000
40	Insect screen		
50-51	Locking rubber 6,50mm - transparent	SC 104	6-001381-0000
50-51	Locking rubber 5,75mm - transparent	SC 103	6-001328-0000
60	Bracket INSECTA		viz. Profile bracket INSECTA
70	Insert handle - transparent	SC 105	6-001360-0000
90	Window partition holder	SC 121	6-001349-xxxx
91-94	Profile Al 19x7	SC 120	6-001318-xxxx
95	Cross reinforcement	SC 123/2	3-02928-0000
98-99	Brush 6,7x500 S	SC 250/5	6-001314-0500
101	Brush 6,7x1000 EC	SC 250/10	6-001314-1000
102	Brush 6,7x1200 EC	SC 250/12	6-001314-1200
102	Brush 6,7x1500 EC	SC 250/15	6-001314-1500
102	Brush 6,7x1800 EC	SC 250/18	6-001314-1800

Profile bracket INSECTA – position 60

Profile bracket INSECTA C1

Name of components	Abbreviation	Dimension A (mm)
Profile bracket, metal	SC 111	15
Profile bracket, metal	SC 112	17
Profile bracket, metal	SC 113	18
Profile bracket, metal	SC 114	20
Profile bracket, metal	SC 115	22
Profile bracket, metal	SC 124	24
Profile bracket, metal	SC 125	26
Profile bracket, metal	SC 126	28
Profile bracket, metal	SC 127	30
Profile bracket, metal	SC 128	32



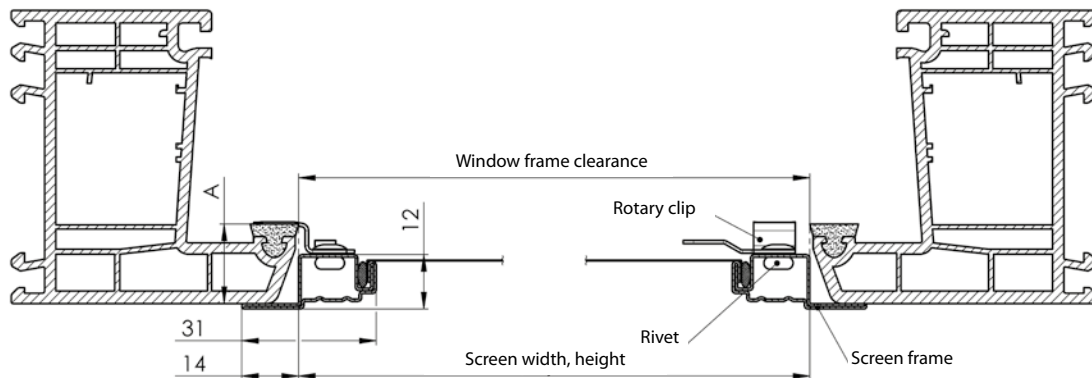
Insect Screen C1

Measuring

Measure the clearance width and height of the aperture in which the screen is to be installed in. Window frame depth for the screen fitting = clip height. Conduct measuring in three points, state the lowest value.

In order to determine the screen dimensions and window frame (clip) depth as precisely as possible, we recommend using the specific screen sample frame (C1).

The screen frame profile width for the C1 type is 31 mm including the collar. Profile size is 31 x 12 mm. The screen frame extends to the frame clearance 22 mm from the window frame edge.



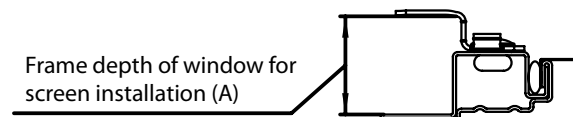
Installation

Installation is carried out from the interior using rotary clips and does not require any drilling or other window frame invasion. Fix the screen in the frame by turning the clips. The rotary clips are riveted to the frame and their height is given by the frame depth of the window, where the screen is installed.

IMPORTANT!!

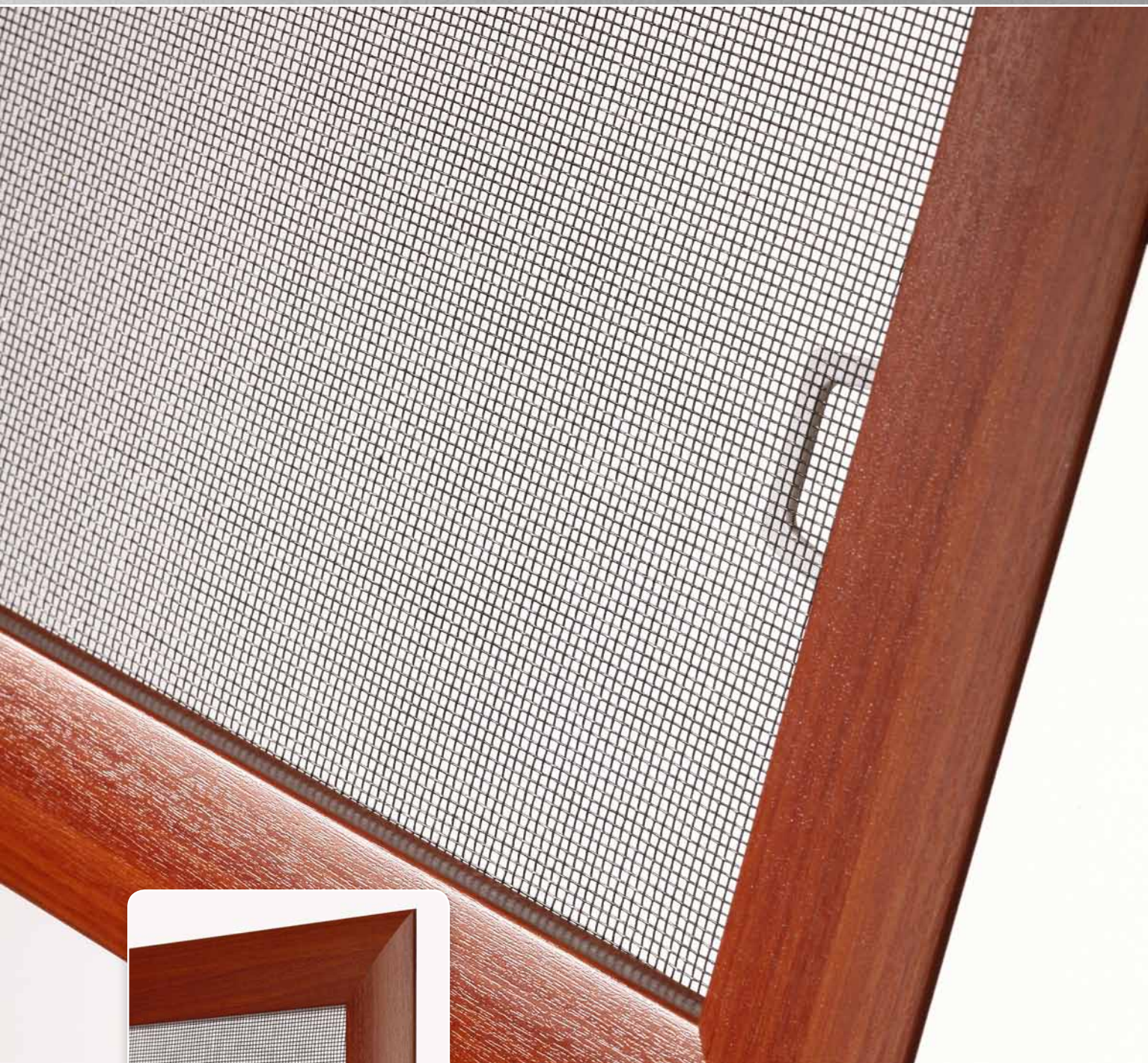
The screen is not suitable for windows with shutters or other obstacle that would prevent the screen recessing.

Selection of rotary clips



In the case of screen size exceeding 1200 mm, we recommend adding a reinforcement. This recommendation applies to both the screen length and width.

Insect Screen C2

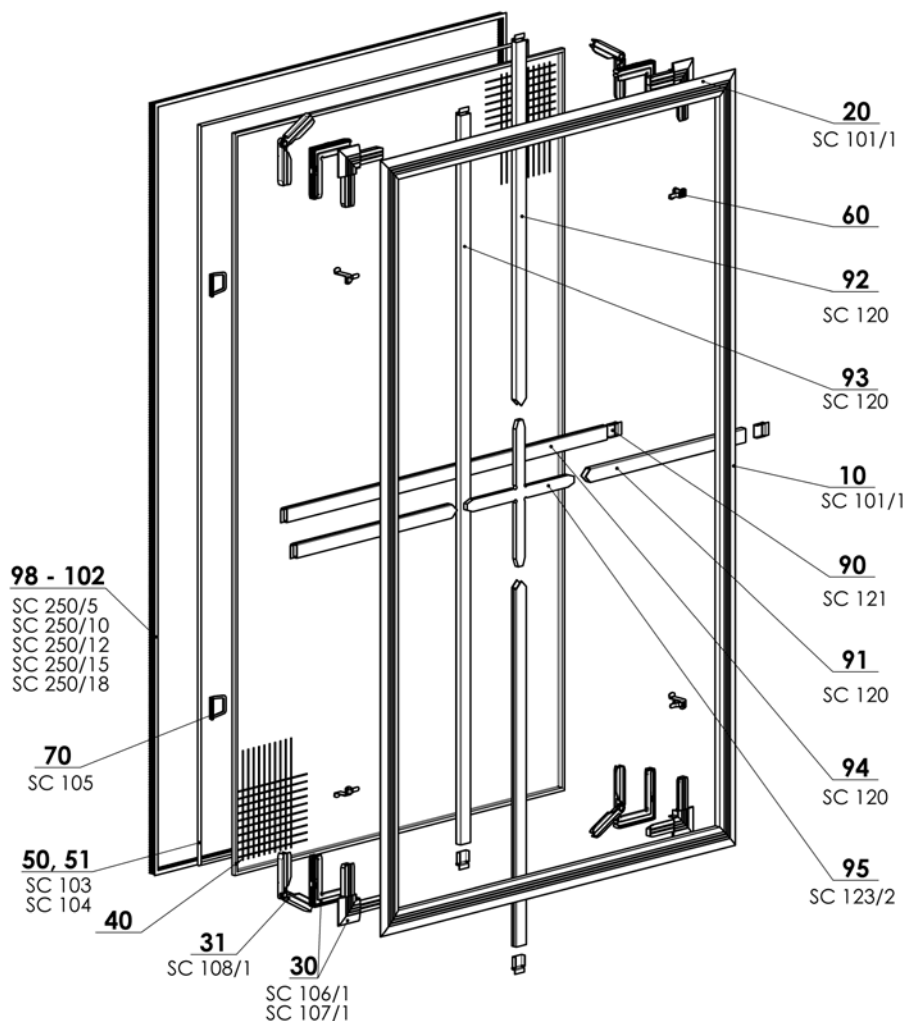


- ▲ 31 x 11 mm round aluminum frame
- ▲ installation does not require any interventions in window frame
- ▲ suitable for windows without shutters
- ▲ frame color design according to RAL scheme, wood imitation or double-sided renolit coating

ISOTRA *Quality*


Insect Screen C2

Basic Product Specification



2-00357-0000-D

Specification

	Frame	Maximum Guaranteed Dimensions	Attachment Method	Installation Clips	Clip / Pin / Swivel / Box Holder Size (mm)	Flange		Mesh			
						Inner	Outer	Grey	Black	Thick	White
Commercial Name Dimension (mm) Material	SC 101 / 1 31 x 11 Al 	3,6 m ² max. h. 2000 mm max. w. 2000 mm	rotary clip	4/6*	15, 17, 18, 20, 22, 24, 26, 28	yes	yes	yes	yes	yes	yes

Color

Standard:
 RAL 9003 White (double-sided)
 RAL 8019 Brown (double-sided)
 RAL 7016 anthracite gray (double-sided)

Extra change:
 other RAL (double-sided)
 wood imitation (single-sided/double-sided)
 renolit (single-sided/double-sided) according to the current sampler
 Isotra System Decoral I. end II. according to the current sampler

We make atypical designs. Atypical mesh is always fitted with reinforcement and inner flanges.
 * 6 clips fitted above the height of 1401 mm. The clips are always arranged evenly along the vertical screen sides (if it is not specified differently).
 Rotary clip kit contains: 1 right clip, 1 left clip, 2 rivets.
 Aluminum reinforcement is mounted in the case of width/height exceeding 1200 mm.

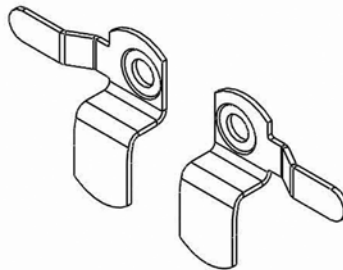
It is valid for the white mesh that one of the measures (width or height) have to be smaller than 1450 mm.
 For reinforced netting, one of the dimensions (width or height) must be less than 1150 mm.
 For black and gray netting, one of the dimensions (width or height) must be less than 1750 mm.

Insect Screen C2 (2-00357-0000)

Position	Name of components	Abbreviation	Number of tech. drawing
10-20	Profile Al - C2	SC 101/1	3-01175-xxxx
30	Angle, plastic C2 internal	SC 107/1	3-01243-0000
30	Angle, plastic C2 external	SC 106/1	2-00378-xxxx
40	Insect screen		
50	Locking rubber 5,75mm - transparent	SC 103	6-001328-0000
51	Locking rubber 6,50mm - transparent	SC 104	6-001381-0000
60	Bracket INSECTA		viz. Profile bracket INSECTA
70	Insert handle - transparent	SC 105	6-001360-0000
90	Window partition holder	SC 121	6-001349-xxxx
91-94	Profile Al 19x7	SC 120	6-001318-xxxx
95	Cross reinforcement	SC 123/2	3-02928-0000
98-99	Brush 6,7x500 S	SC 250/5	6-001314-0500
101	Brush 6,7x1000 EC	SC 250/10	6-001314-1000
102	Brush 6,7x1200 EC	SC 250/12	6-001314-1200
103	Brush 6,7x1500 EC	SC 250/15	6-001314-1500
104	Brush 6,7x1800 EC	SC 250/18	6-001314-1800

Profile bracket INSECTA – Position 60**Profile bracket INSECTA C2**

Name of components	Abbreviation	Dimension A [mm]
Profile bracket, metal	SC 112	13
Profile bracket, metal	SC 113	15
Profile bracket, metal	SC 114	17
Profile bracket, metal	SC 115	18
Profile bracket, metal	SC 124	20
Profile bracket, metal	SC 125	22
Profile bracket, metal	SC 126	24
Profile bracket, metal	SC 127	26
Profile bracket, metal	SC 128	28
Profile bracket, metal	SC 127	30
Profile bracket, metal	SC 128	32



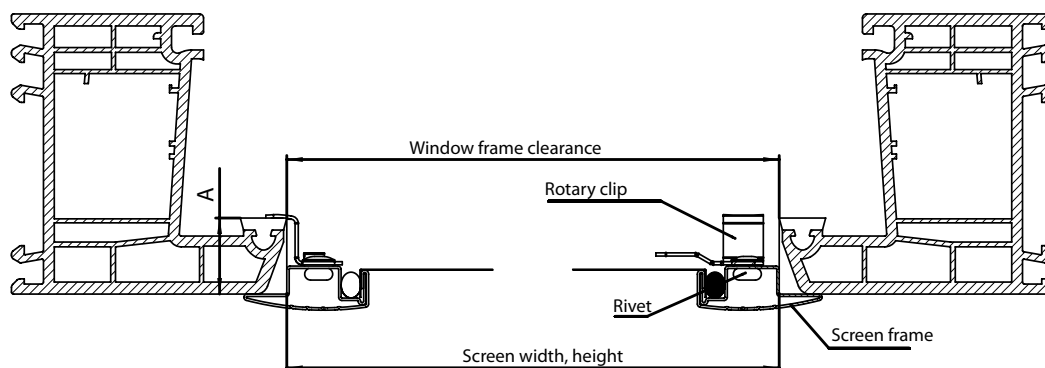
Insect Screen C2

Measuring

Measure the clearance width and height of the aperture in which the screen is to be installed in. Window frame depth for the screen fitting = clip height. Conduct measuring in three points, state the lowest value.

In order to determine the screen dimensions and window frame (clip) depth as precisely as possible, we recommend using the specific screen sample frame (C2).

The screen frame profile width for the C2 type is 31 mm including the collar. Profile size is 31 x 11 mm. The screen frame extends to the frame clearance 20 mm from the window frame edge.



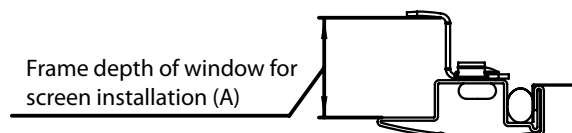
Installation

Installation is carried out from the interior using rotary clips and does not require any drilling or other window frame invasion. Fix the screen in the frame by turning the clips. The rotary clips are riveted to the frame and their height is given by the frame depth of the window, where the screen is installed.

IMPORTANT!!

The screen is not suitable for windows with shutters or other obstacle that would prevent the screen recessing.

Selection of rotary clips



In the case of screen size exceeding 1200 mm, we recommend adding a reinforcement. This recommendation applies to both the screen length and width.

Insect Screen C10

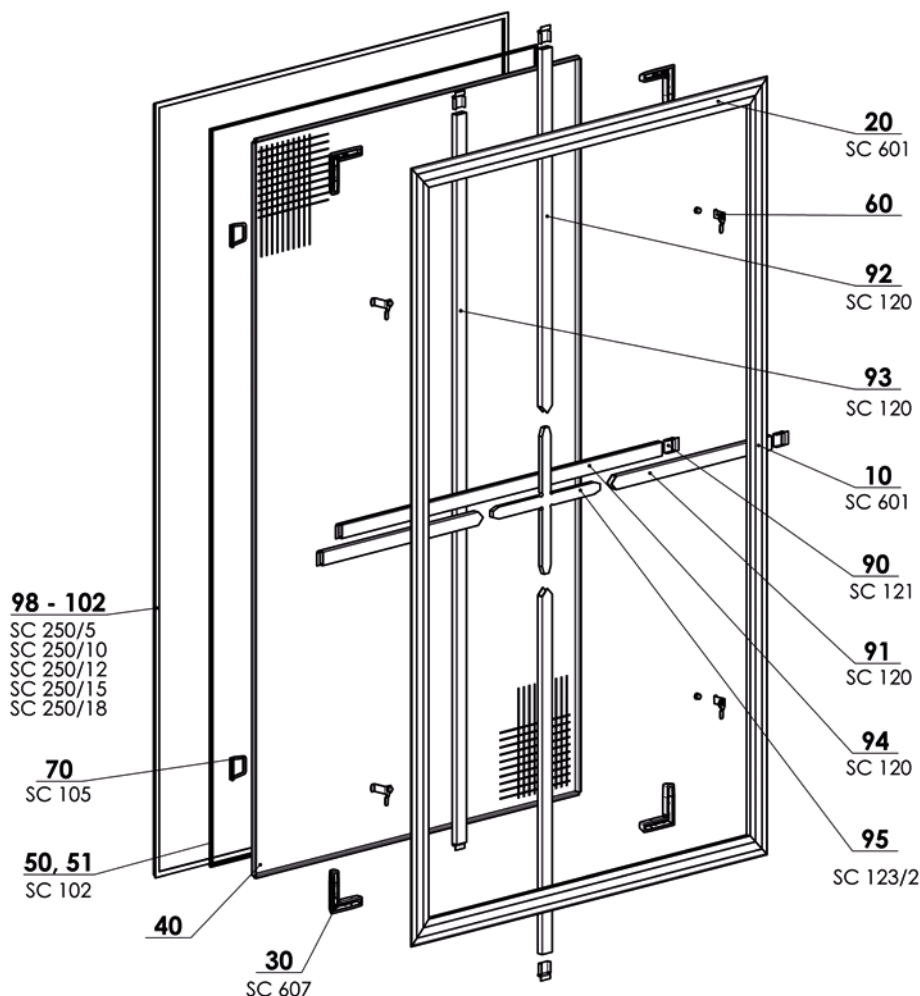


- ▲ 33 x 11 mm extruded aluminum frame
- ▲ installation does not require any interventions in window frame
- ▲ suitable for windows without shutters
- ▲ frame color design according to RAL scheme, single-sided renolit-coating

ISOTRA *Quality*

Insect Screen C10

Basic Product Specification



2-00338-XXXX-C

Specification

	Frame	Maximum Guaranteed Dimensions	Attachment Method	Installation Clips	Clip / Pin / Swivel / Box Holder Size (mm)	Flange		Mesh			
						Inner	Outer	Grey	Black	Thick	White
Commercial Name Dimension (mm) Material	SC 601 33 x 11 Al	3,6 m ² max. h. 2000 mm max. w. 2000 mm	rotary clip	4/6*	15, 17, 18, 20, 22, 24, 26, 28, 30	yes	No	yes	yes	yes	yes

Color
Standard:
RAL 9003 White (double-sided)
RAL 8019 Brown (double-sided)
RAL 7016 anthracite gray (double-sided)
Extra change:
other RAL (double-sided)
renolit (single-sided/double-sided) according to the current sampler

We do not make atypical designs.

* 6 clips fitted above the height of 1401 mm. The clips are always arranged evenly along the vertical screen sides (if it is not specified differently).

Rotary clip kit contains: 1 right clip, 1 left clip, 2 rivets.

Aluminum reinforcement is mounted in the case of width/height exceeding 1200 mm.

Undercoat for renolit is white or brown.

It is valid for the white mesh that one of the measures (width or height) have to be smaller than 1450 mm.

For reinforced netting, one of the dimensions (width or height) must be less than 1150 mm.

For black and gray netting, one of the dimensions (width or height) must be less than 1750 mm.

Insect Screen C10 (2-00338-0000)

Position	Name of components	Abbreviation	Number of tech. drawing
10-20	Profile Al - C10	SC 601	6-001415-xxxx
30	Angle, plastic C10/C11 25x10 internal	SC 607	6-003963-9010
40	Insect screen		
50-51	Locking rubber 4,00mm - transparent	SC 102	6-001329-0000
60	Bracket INSECTA		viz. Profile bracket INSECTA
70	Insert handle - transparent	SC 105	6-001360-0000
90	Window partition holder	SC 121	6-001349-xxxx
91-94	Profile Al 19x7	SC 120	6-001318-xxxx
95	Cross reinforcement	SC 123/2	3-02928-0000
98-99	Brush 6,7x500 S	SC 250/5	6-001314-0500
101	Brush 6,7x1000 EC	SC 250/10	6-001314-1000
102	Brush 6,7x1200 EC	SC 250/12	6-001314-1200
103	Brush 6,7x1500 EC	SC 250/15	6-001314-1500
104	Brush 6,7x1800 EC	SC 250/18	6-001314-1800

Profile bracket INSECTA – Position 60**Profile bracket INSECTA C10**

název položky	Abbreviation	Dimension A (mm)
Profile bracket, metal	SC 112	15
Profile bracket, metal	SC 113	17
Profile bracket, metal	SC 114	18
Profile bracket, metal	SC 115	20
Profile bracket, metal	SC 124	22
Profile bracket, metal	SC 125	24
Profile bracket, metal	SC 126	26
Profile bracket, metal	SC 127	28
Profile bracket, metal	SC 128	30
Profile bracket, metal	SC 128	32

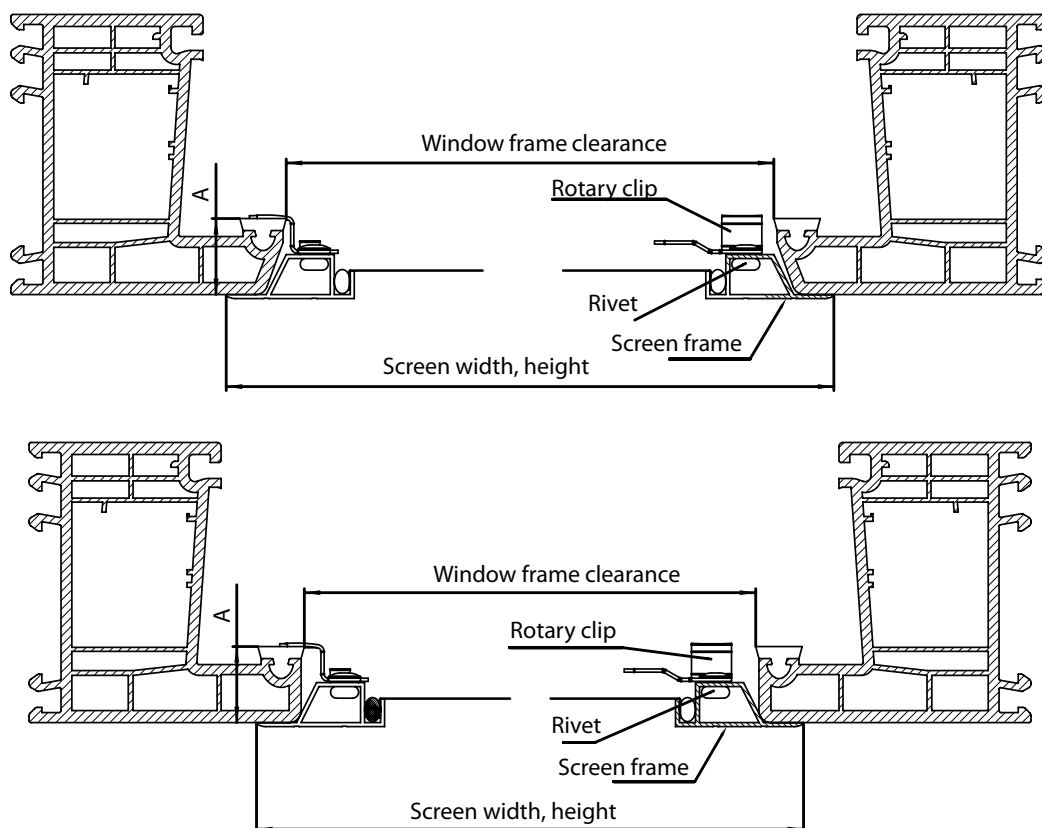
Insect Screen C10

Measuring

The total width and height of the screen when measured, including the collar (see Fig). The depth of the window frame for fitting the screen = the height of the clamp. Measurements are taken at three points, the lowest value is used. Screens are produced in widths of 300 mm to 2000 mm and heights of 300 mm to 2000 mm.

In order to determine the screen dimensions and window frame (clip) depth as precisely as possible, it is necessary to use the specific screen sample frame (C10).

The screen frame profile width for the C10 type is 33 mm including the collar. Profile size is 33 x 11 mm. The screen frame extends to the frame clearance based on the window frame edge shape.



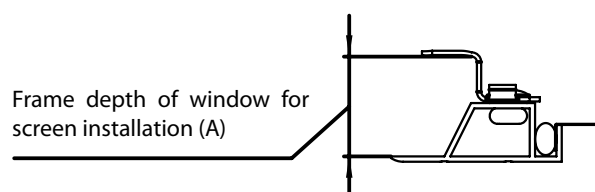
Installation

Installation is carried out from the interior using rotary clips and does not require any drilling or other window frame invasion. Fix the screen in the frame by turning the clips. The rotary clips are riveted to the frame and their height is given by the frame depth of the window, where the screen is installed.

IMPORTANT!!

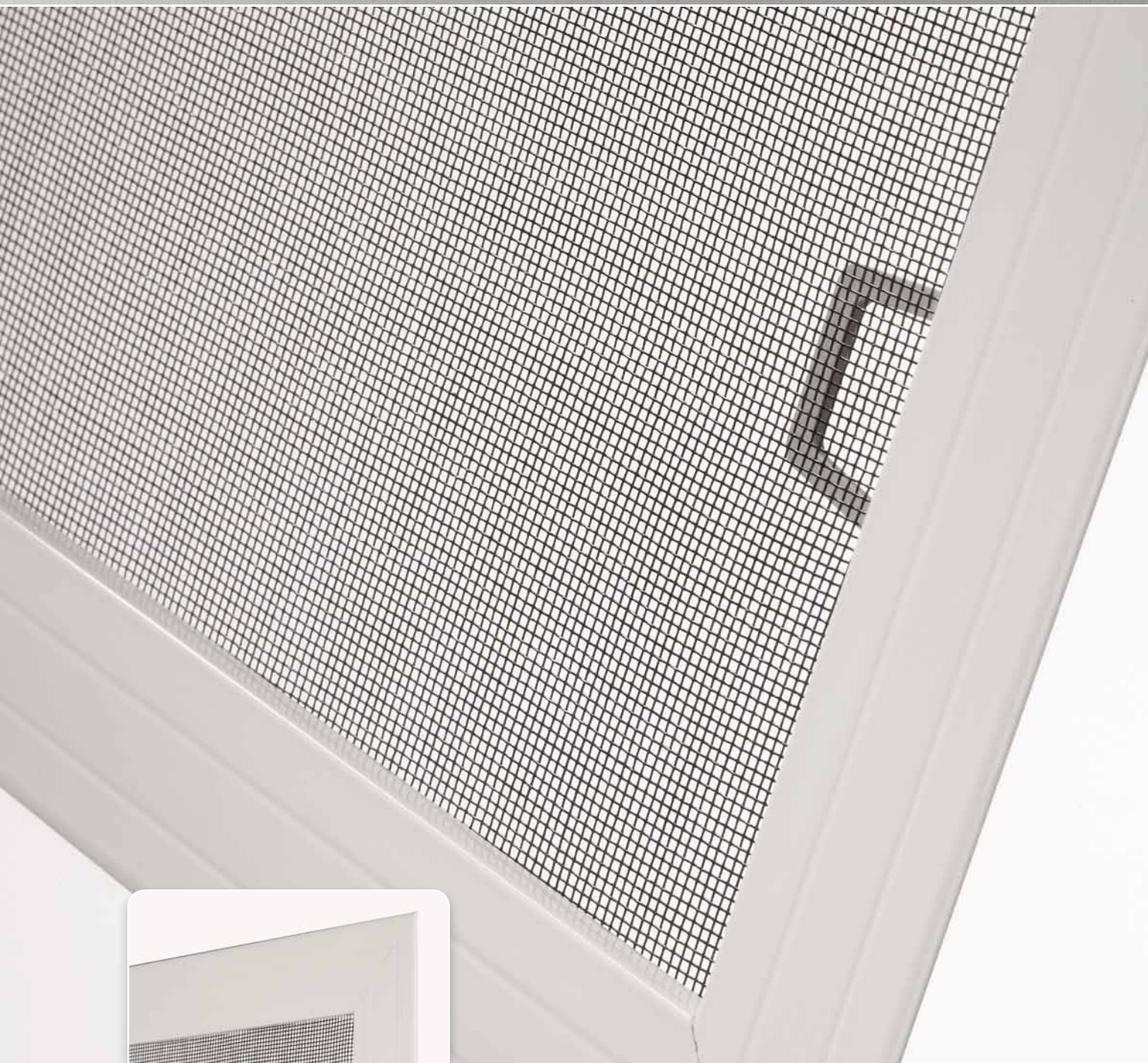
The screen is not suitable for windows with shutters or other obstacle that would prevent the screen recessing.

Selection of rotary clips



In the case of screen size exceeding 1200 mm, we recommend adding a reinforcement. This recommendation applies to both the screen length and width.

Insect Screen C11

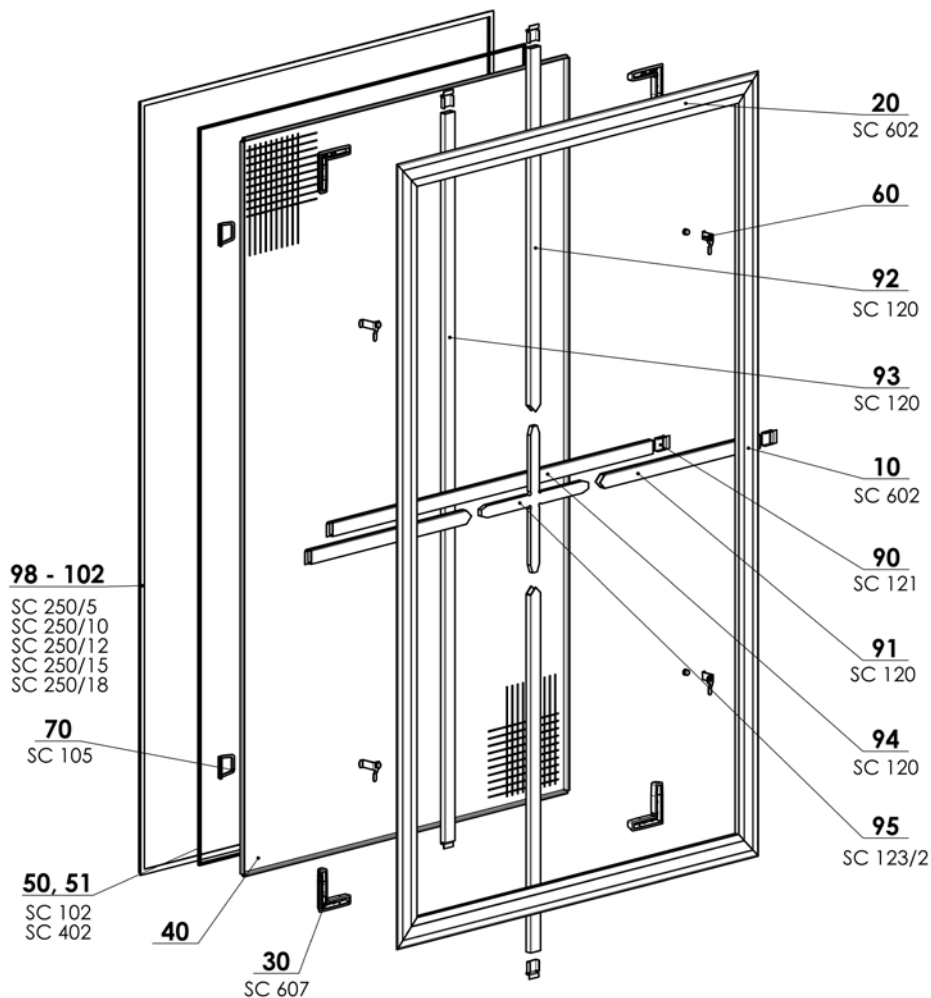


- ▲ 37 x 11 mm extruded aluminum frame
- ▲ installation does not require any interventions in window frame
- ▲ suitable for windows without shutters
- ▲ frame color design according to RAL scheme, single-sided renolit-coating

ISOTRA *Quality*


Insect Screen C11

Basic Product Specification



2-00421-XXXX-C

Specification

	Frame	Maximum Guaranteed Dimensions	Attachment Method	Installation Clips	Clip / Pin / Swivel / Box Holder Size (mm)	Flange		Mesh			
						Inner	Outer	Grey	Black	Thick	White
Commercial Name Dimension (mm) Material	SC 602 37 x 11 Al 	3,6 m ² max. h. 2000 mm max. w. 2000 mm	rotary clip	4/6*	15, 17, 18, 20, 22, 24, 26, 28, 30	yes	No	yes	yes	yes	yes
Color	Standard: RAL 9003 White (double-sided) RAL 8019 Brown (double-sided)		Extra change: other RAL (double-sided) renolit (single-sided/double-sided) according to the current sampler								

We do not make atypical designs.

* 6 clips fitted above the height of 1401 mm. The clips are always arranged evenly along the vertical screen sides (if it is not specified differently).

Rotary clip kit contains: 1 right clip, 1 left clip, 2 rivets.

Aluminum reinforcement is mounted in the case of width/height exceeding 1200 mm.

Undercoat for renolit is white or brown.

It is valid for the white mesh that one of the measures (width or height) have to be smaller than 1450 mm.

For reinforced netting, one of the dimensions (width or height) must be less than 1150 mm.

For black and gray netting, one of the dimensions (width or height) must be less than 1750 mm.

Insect Screen C11 (2-00421-0000)

Position	Name of components	Abbreviation	Number of tech. drawing
10-20	Profile Al - C11	SC 602	6-005962-xxxx
30	Angle, plastic C10/C11 25x10 internal	SC 607	6-003963-9010
40	Insect screen		
50	Locking rubber 4,00mm - transparent	SC 102	6-001329-0000
51	Locking rubber 4,50mm - transparent	SC 402	6-001327-0000
60	Bracket INSECTA		viz. Profile bracket INSECTA
70	Insert handle - transparent	SC 105	6-001360-0000
90	Window partition holder	SC 121	6-001349-xxxx
91-94	Profile Al 19x7	SC 120	6-001318-xxxx
95	Cross reinforcement	SC 123/2	3-02928-0000
98-99	Brush 6,7x500 S	SC 250/5	6-001314-0500
101	Brush 6,7x1000 EC	SC 250/10	6-001314-1000
102	Brush 6,7x1200 EC	SC 250/12	6-001314-1200
102	Brush 6,7x1500 EC	SC 250/15	6-001314-1500
102	Brush 6,7x1800 EC	SC 250/18	6-001314-1800

Profile bracket INSECTA – Position 60**Profile bracket INSECTA C11**

Name of components	Abbreviation	Dimension A (mm)
Profile bracket, metal	SC 112	15
Profile bracket, metal	SC 113	17
Profile bracket, metal	SC 114	18
Profile bracket, metal	SC 115	20
Profile bracket, metal	SC 124	22
Profile bracket, metal	SC 125	24
Profile bracket, metal	SC 126	26
Profile bracket, metal	SC 127	28
Profile bracket, metal	SC 128	30

Insect Screen C11

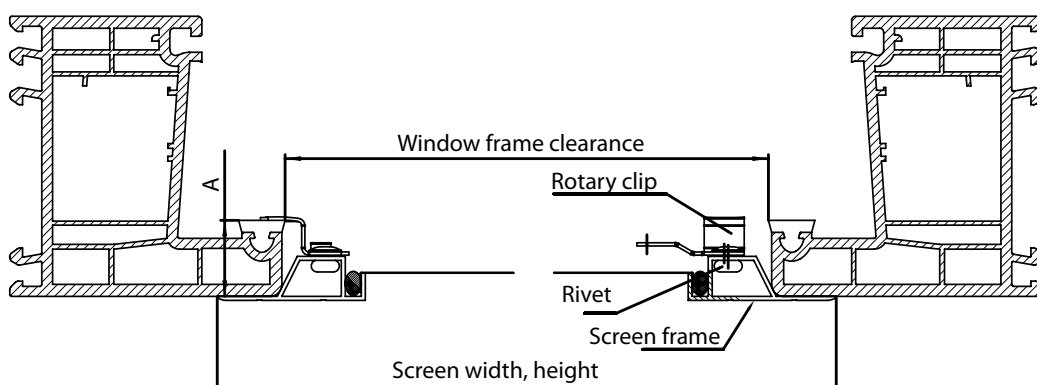
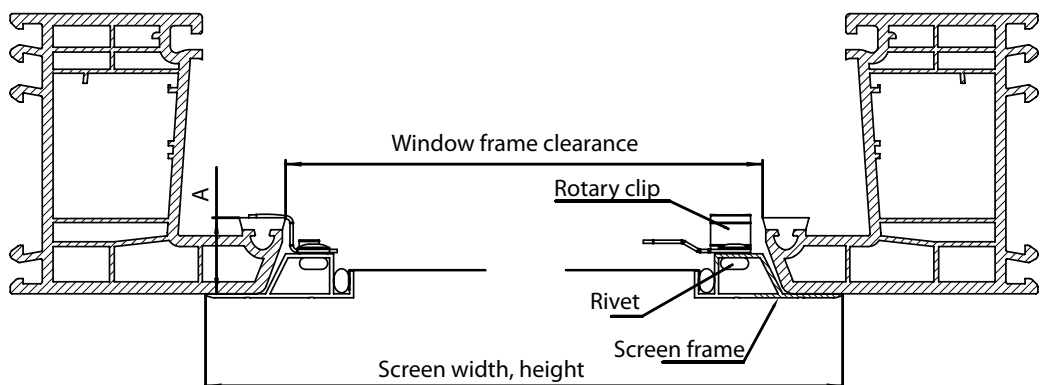
Measuring

The total width and height of the screen when measured, including the collar (see Fig). The depth of the window frame for fitting the screen = the height of the clamp. Measurements are taken at three points, the lowest value is used. Screens are produced in widths of 300 mm to 2000 mm and heights of 300 mm to 2000 mm.

In order to determine the screen dimensions and window frame (clip) depth as precisely as possible, it is necessary to use the specific screen sample frame (C11).

The screen frame profile width for the C11 type is 37 mm including the collar. Profile size is 37 x 11 mm.

The screen frame extends to the frame clearance based on the window frame edge shape.



Installation

Installation is carried out from the interior using rotary clips and does not require any drilling or other window frame invasion. Fix the screen in the frame by turning the clips. The rotary clips are riveted to the frame and their height is given by the frame depth of the window, where the screen is installed.

IMPORTANT!!

The screen is not suitable for windows with shutters or other obstacle that would prevent the screen recessing.

Selection of rotary clips



In the case of screen size exceeding 1200 mm, we recommend adding a reinforcement. This recommendation applies to both the screen length and width.

Insect Screen C20

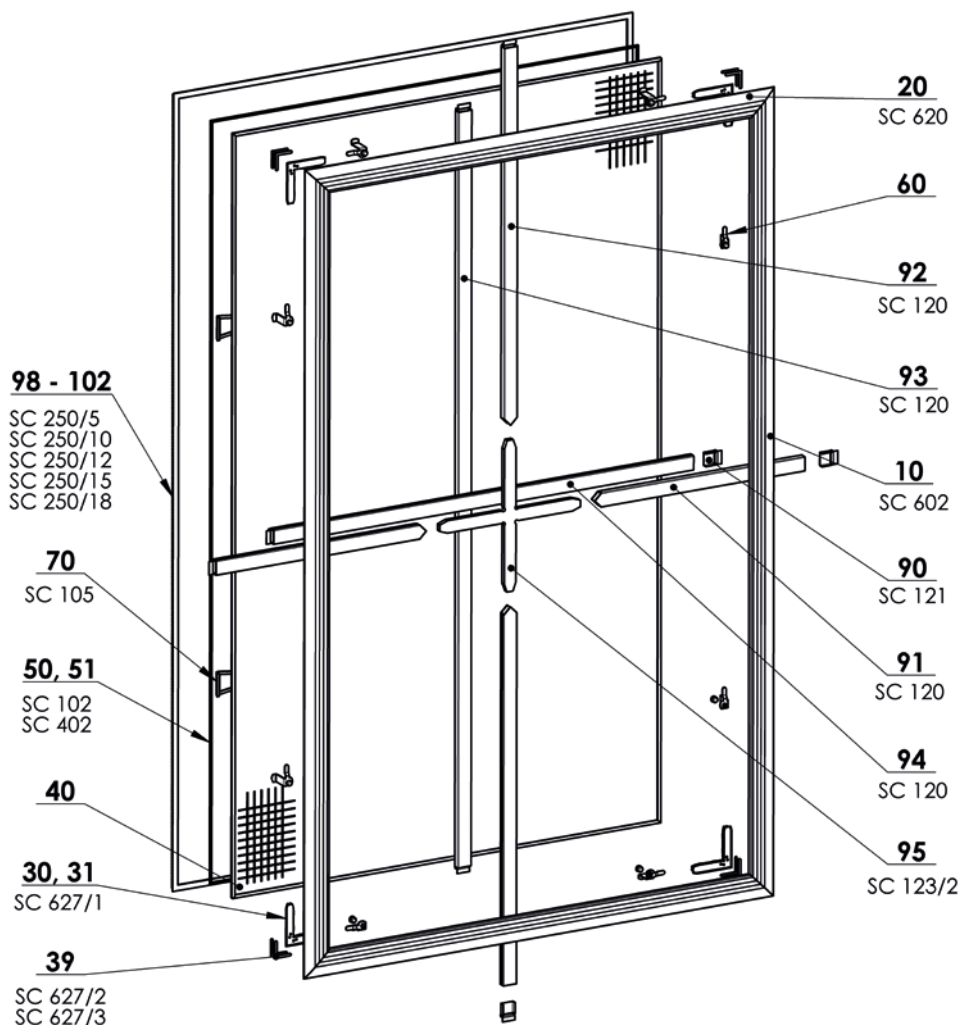


- ▲ 34x8 mm extruded aluminum frame
- ▲ Profile with groove for sealing brush
- ▲ Wider collar
- ▲ Frame color design according to RAL scheme, wood imitation or single-sided renolit-coating

ISOTRA *Quality*

Insect Screen C20

Basic Product Specification



2-00811-XXXX-B

Specification

	Frame	Maximum Guaranteed Dimensions	Attachment Method	Installation Clips	Clip / Pin / Swivel / Box Holder Size (mm)	Flange		Mesh			
						Inner	Outer	Grey	Black	Thick	White
Commercial Name Dimension (mm) Material	SC 620 34x8 Al	3,6 m ² max. h. 2000 mm max. w. 2000 mm	rotary clip	4/6*	15, 17, 19, 21, 23	yes	no	yes	yes	yes	yes

Color
 Standard:
 RAL 9003 White (double-sided)
 RAL 8019 Brown (double-sided)

Extra change:
 other RAL (double-sided)
 renolit (single-sided/double-sided) according to the current sampler
 Isotra System Decoral I. end II. according to the current sampler

We do not make atypical designs.

* 6 clips fitted above the height of 1401 mm. The clips are always arranged evenly along the vertical screen sides (if it is not specified differently).

Rotary clip kit contains: 1 right clip, 1 left clip, 2 rivets.

Aluminum reinforcement is mounted in the case of width/height exceeding 1200 mm.

It is valid for the white mesh that one of the measures (width or height) have to be smaller than 1450 mm.

For reinforced netting, one of the dimensions (width or height) must be less than 1150 mm.

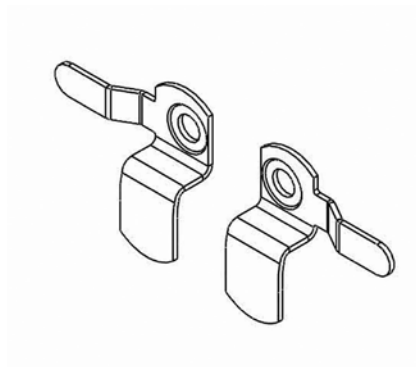
For black and gray netting, one of the dimensions (width or height) must be less than 1750 mm.

Insect Screen C20 (2-00811-0000)

Position	Name of components	Abbreviation	Number of tech. drawing
10-20	Profile Al - C20	SC 620	7-301639-xxxx
30-31	Angle, plastic C20	SC 627/1	3-01942-9003
39	Angle, metal C20	SC 627/3	7-302160-0000
39	Angle, metal C20	SC 627/2	7-301892-0000
40	Insect screen		
50	Locking rubber 4,00mm - transparent	SC 102	6-001329-0000
51	Locking rubber 4,00mm - transparent	SC 102	6-001329-0000
60	Bracket INSECTA		viz. Profile bracket INSECTA
70	Insert handle - transparent	SC 105	6-001360-0000
90	Window partition holder	SC 121	6-001349-xxxx
91-94	Profile Al 19x7	SC 120	6-001318-xxxx
95	Cross reinforcement	SC 123/2	3-02928-0000
98-99	Brush 6,7x500 S	SC 250/5	6-001314-0500
101	Brush 6,7x1000 EC	SC 250/10	6-001314-1000
102	Brush 6,7x1200 EC	SC 250/12	6-001314-1200
103	Brush 6,7x1500 EC	SC 250/15	6-001314-1500
104	Brush 6,7x1800 EC	SC 250/18	6-001314-1800

Profile bracket INSECTA – Position 60**Profile bracket INSECTA C20**

Name of components	Abbreviation	Dimension A (mm)
Profile bracket, metal	SC 118	6,5
Profile bracket, metal	SC 124	15
Profile bracket, metal	SC 125	17
Profile bracket, metal	SC 126	19
Profile bracket, metal	SC 127	21
Profile bracket, metal	SC 128	23



Insect Screen C20

Measuring

Measuring

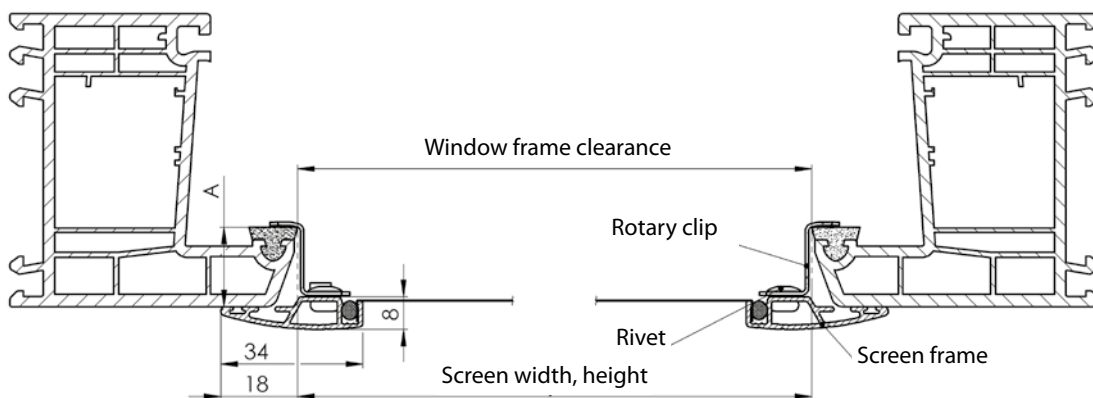
Measure the clearance width and height of the aperture in which the screen is to be installed in. Window frame depth for the screen fitting (including securing rubber) = clip height. Conduct measuring in three points, state the lowest value.

Screens are produced in widths of 300 mm to 2000 mm and heights of 300 mm to 2000 mm.

In order to determine the screen dimensions and window frame (clip) depth as precisely as possible, it is necessary to use the specific screen sample frame (C20).

The screen frame profile width for the C10 type is 34 mm including the collar. Profile size is 34 x 8 mm.

The screen frame extends to the frame clearance 16 mm from the window frame edge.



Installation

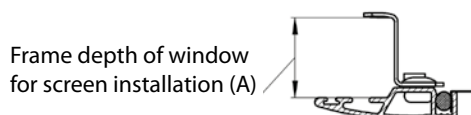
Installation is carried out from the interior using rotary clips and does not require any drilling or other window frame invasion. Fix the screen in the frame by turning the clips. The rotary clips are riveted to the frame and their height is given by the frame depth of the window, where the screen is installed.

IMPORTANT!!

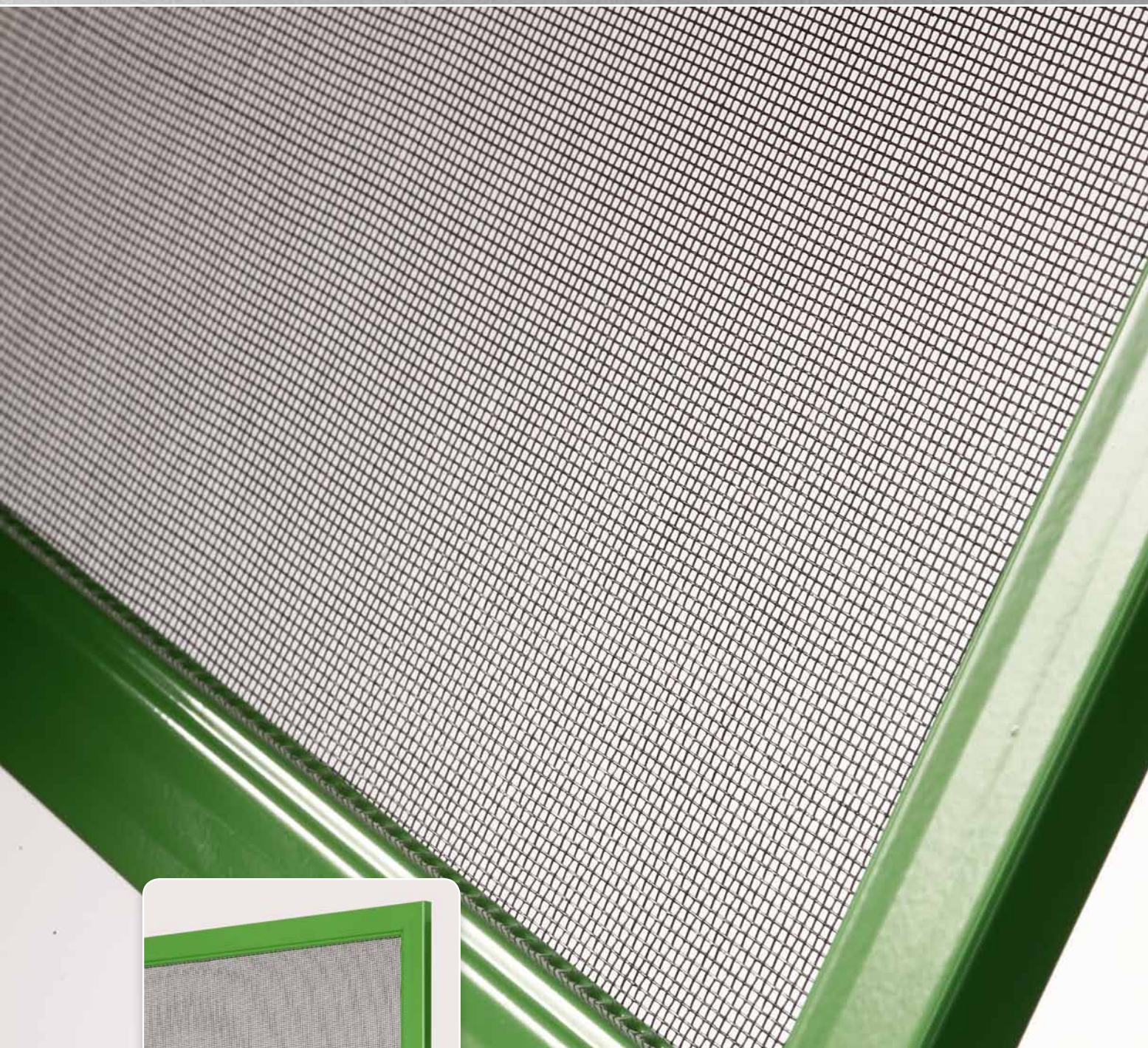
The screen is not suitable for windows with shutters or other obstacle that would prevent the screen recessing.

In the case of screen size exceeding 1200 mm, we recommend adding a reinforcement. This recommendation applies to both the screen length and width.

Selection of rotary clips



Insect Screen E

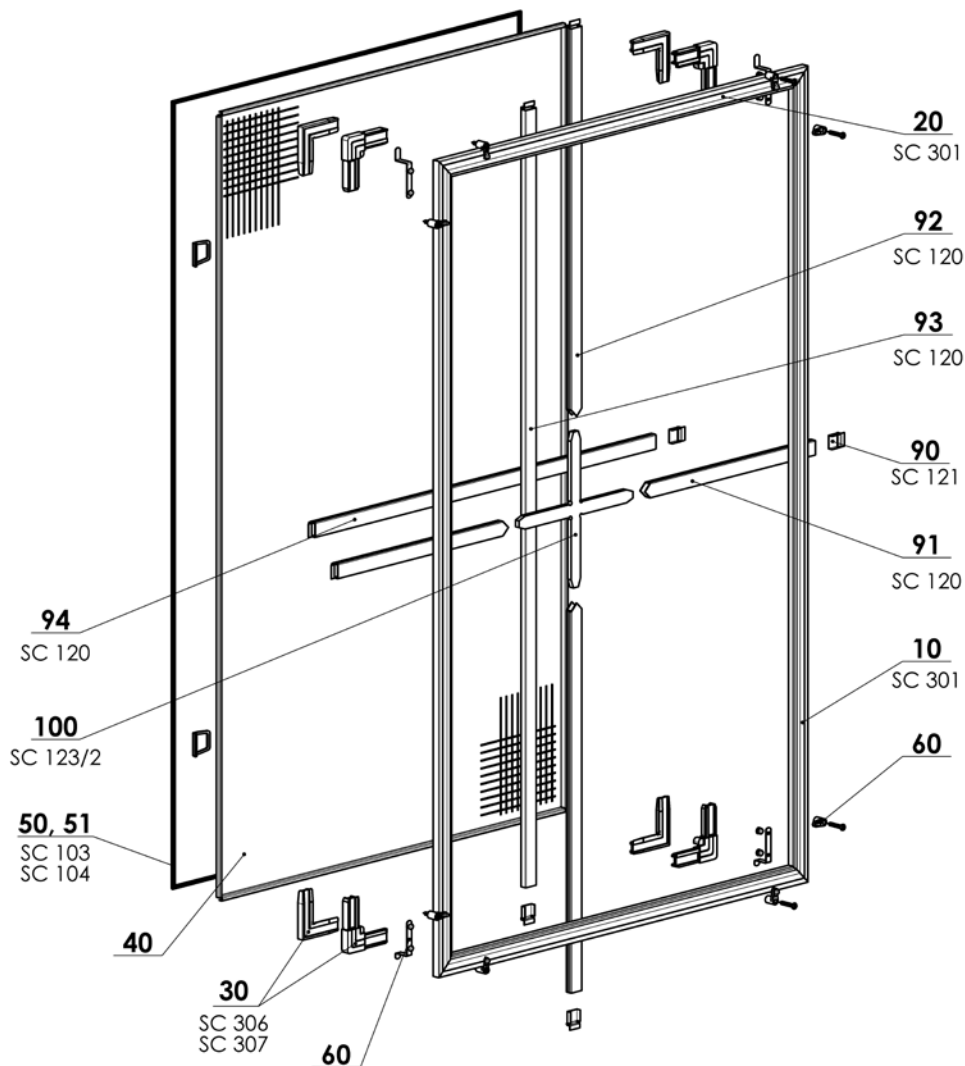


- ▲ 25 x 10 mm aluminum frame
- ▲ installation requires drilling in window frame
- ▲ suitable for older window types
- ▲ frame color design according to RAL scheme or wood imitation

ISOTRA *Quality*


Insect Screen E

Basic Product Specification



2-00306-XXXX-B

Specification

	Frame	Maximum Guaranteed Dimensions	Attachment Method	Installation Clips	Flange		Mesh			
					Inner	Outer	Grey	Black	Thick	White
Commercial Name Dimension (mm) Material	SC 301 25 x 10 Al 	3,6 m ² max. h. 2000 mm max. w. 2000 mm	swivel metal bracket	6	yes	yes	yes	yes	yes	yes
Color	Standard: RAL 9003 White (double-sided) RAL 8019 Brown (double-sided)		Extra change: other RAL (double-sided)							

Aluminum reinforcement is mounted in the case of width/height exceeding 1200 mm.

It is valid for the white mesh that one of the measures (width or height) have to be smaller than 1450 mm.

For reinforced netting, one of the dimensions (width or height) must be less than 1150 mm.

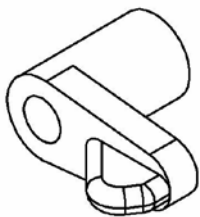
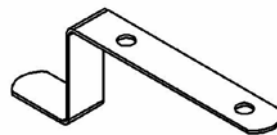
For black and gray netting, one of the dimensions (width or height) must be less than 1750 mm.

Insect Screen E (2-00306-0000)

Position	Name of components	Abbreviation	Number of tech. drawing
10-20	Profile Al - E	SC 301	6-001331-xxxx
30	Angle, plastic E 25x10 external	SC 306	6-003057-xxxx
30	Angle, plastic E 25x10 internal	SC 307	6-001427-0000
40	Insect screen		
50-51	Locking rubber 5,75mm - transparent	SC 103	6-001328-0000
50-51	Locking rubber 6,50mm - transparent	SC 104	6-001381-0000
60	Bracket INSECTA		viz. Profile bracket INSECTA
80	Window partition holder	SC 121	6-001349-xxxx
90-93	Profile Al 19x7	SC 120	6-001318-xxxx
100	Cross reinforcement	SC 123/2	3-02928-0000

Profile bracket INSECTA – Position 60**Profile bracket INSECTA E**

Position	Name of components	Abbreviation	Number of tech. drawing
60	Swivel E 10 mm	SC 308	6-001429-xxxx
60	Profile bracket, metal	SC 309	6-003059-0003
60	Profile bracket, metal	SC 310	6-003059-0000
60	Profile bracket, metal	SC 311	6-003059-0001
60	Profile bracket, metal	SC 312	6-003059-0002

Swivel E 10 mm SC 308**Profile bracket, metal E**

Insect Screen E

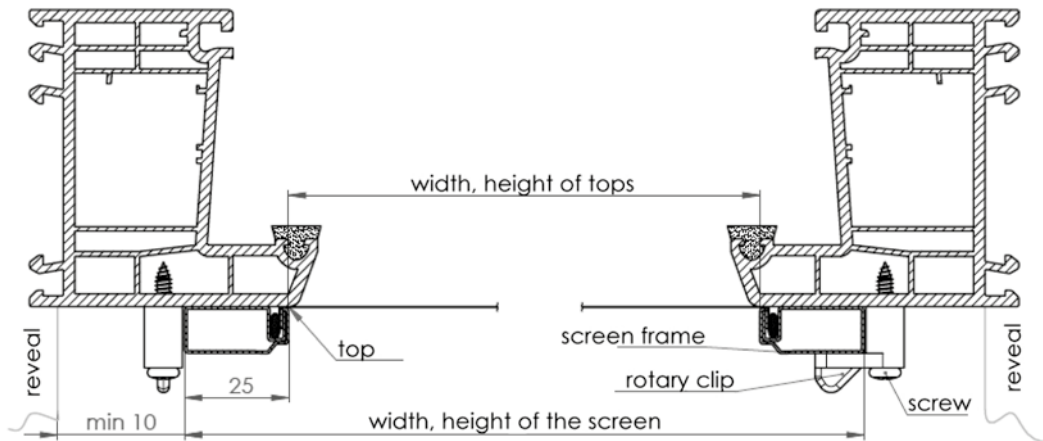
Measurement and assembly manual

1. MEASURING (swivel)

The width and the height of the top points of the frame are measured, and the width of both screen frame profiles (25+25) is added. Measurement is taken at three points with the minimum value indicated. Indicate the outside dimension of the screen frame!

2. ASSEMBLY

Installation is carried out from interior using rotary swivels. Screw the swivels according to the drawing and fix the screen by turning. The swivels and 4x25 bolts are included with the screen. In the case of screen size exceeding 1800 mm, we recommend adding a reinforcement. This recommendation applies to both the screen length and width.



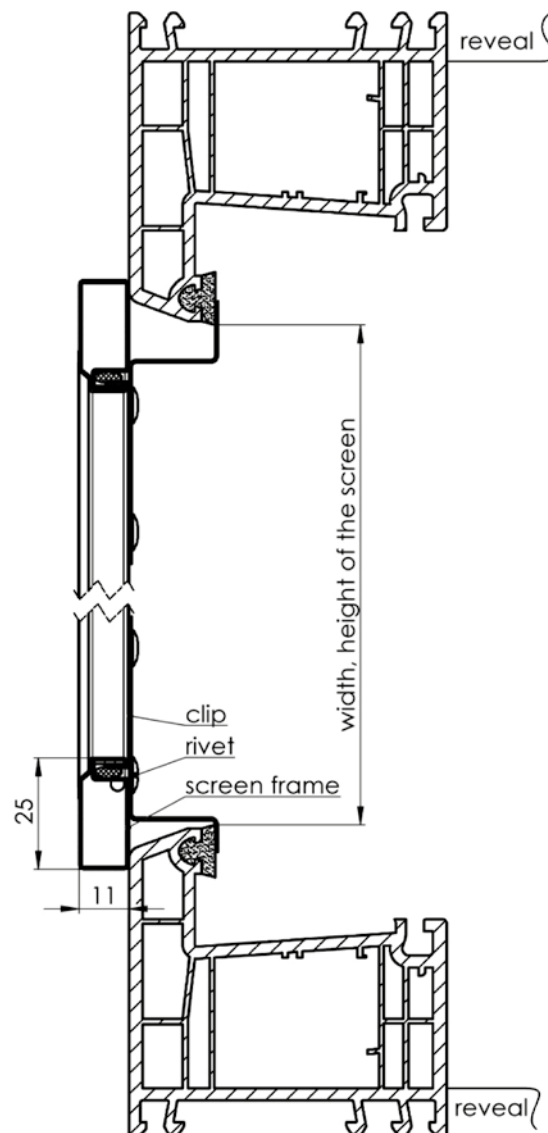
1A. Measuring (Stainless holder)

The width and height of the clearance of the frame is measured. The value of 60 mm is added to this dimension in production for the height and 16 mm for the width. Measurement is taken at three points, and the minimum value is indicated. Indicate the dimension of the clearance of the window frame!

2A. Installation (Stainless holder)

Assembly is by means of stainless holders from the interior. Attach the screen to the window hole using longer holders upwards and move the screen downwards. Stainless hooks are included with the screen.

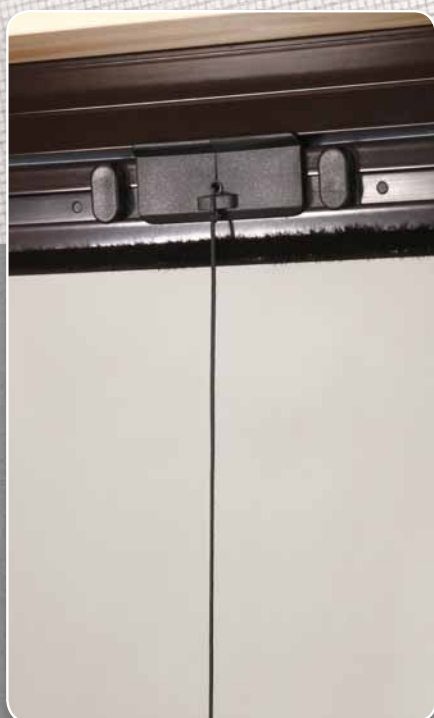
In the case of screen size exceeding 1800 mm, we recommend adding a reinforcement. This recommendation applies to both the screen length and width.



IMPORTANT!!

The screen is suitable for windows with shutters.

Insect Screen F10

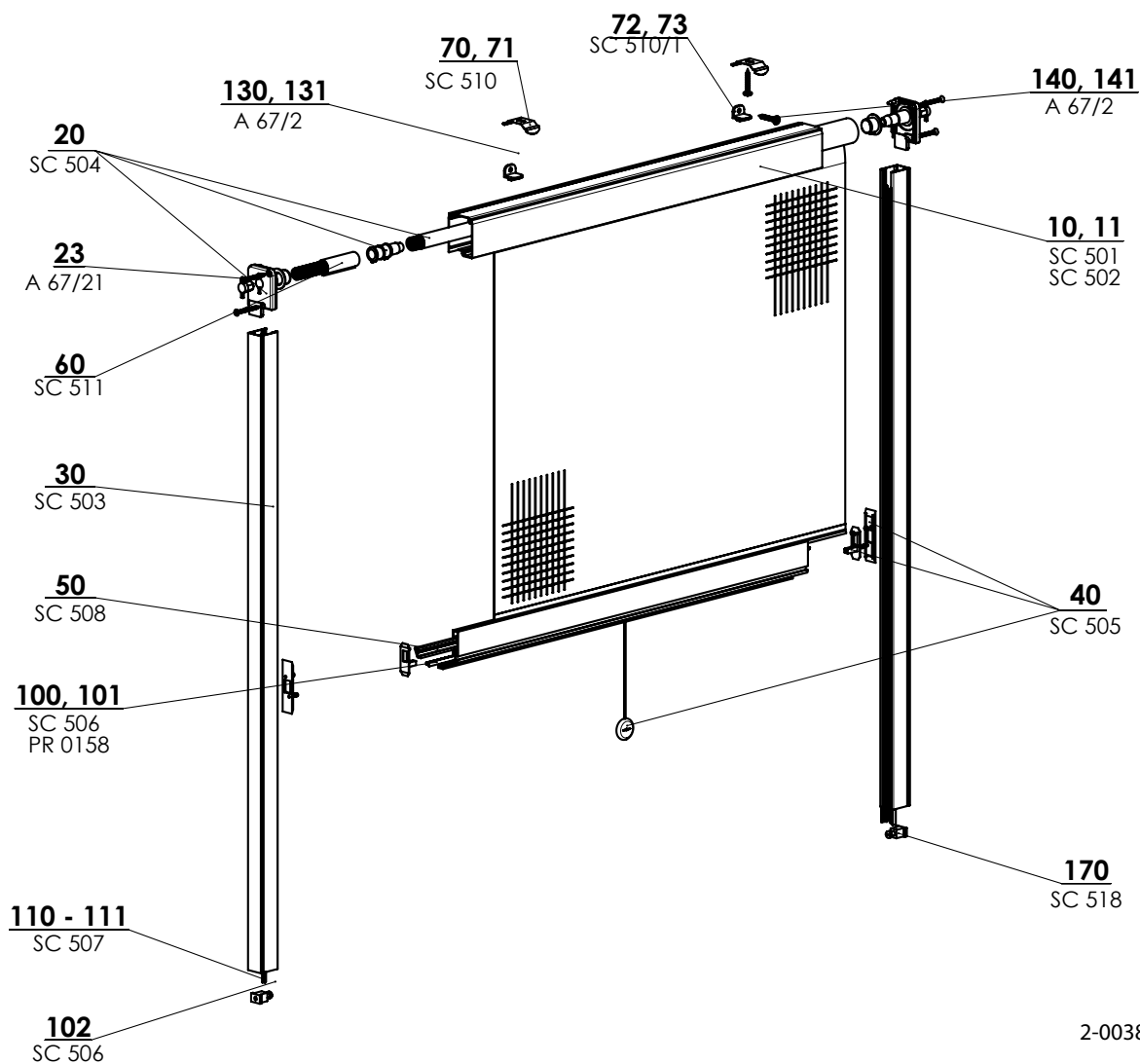


- ▲ optional horizontal pulling up and down of screen
- ▲ 50 x 42 mm extruded aluminum box
- ▲ installation in reveal or on window frame requires drilling in window frame
- ▲ suitable for double-wing windows or balcony doors
- ▲ frame color design according to RAL scheme

ISOTRA *Quality*

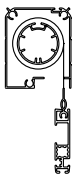
Insect Screen F10

Basic Product Specification



2-00381-XXXX-B

Specification

	Frame	Maximum Guaranteed Dimensions	Attachment Method	Installation Clips	Flange		Mesh			
					Inner	Outer	Grey	Black	Thick	White
Commercial Name Dimension (mm) Material	SC 504 horiz. box 50 x 42 Al 	3.6 m ² max. height 2400 mm max. width 1700 mm	box holders on frame / in reveal	Based on dimensions	no	no	yes	no	no	no
Color	Standard: RAL 9003 White (double-sided) RAL 8019 Brown (double-sided)			Extra change: other RAL (double-sided)						

We do not make atypical designs.

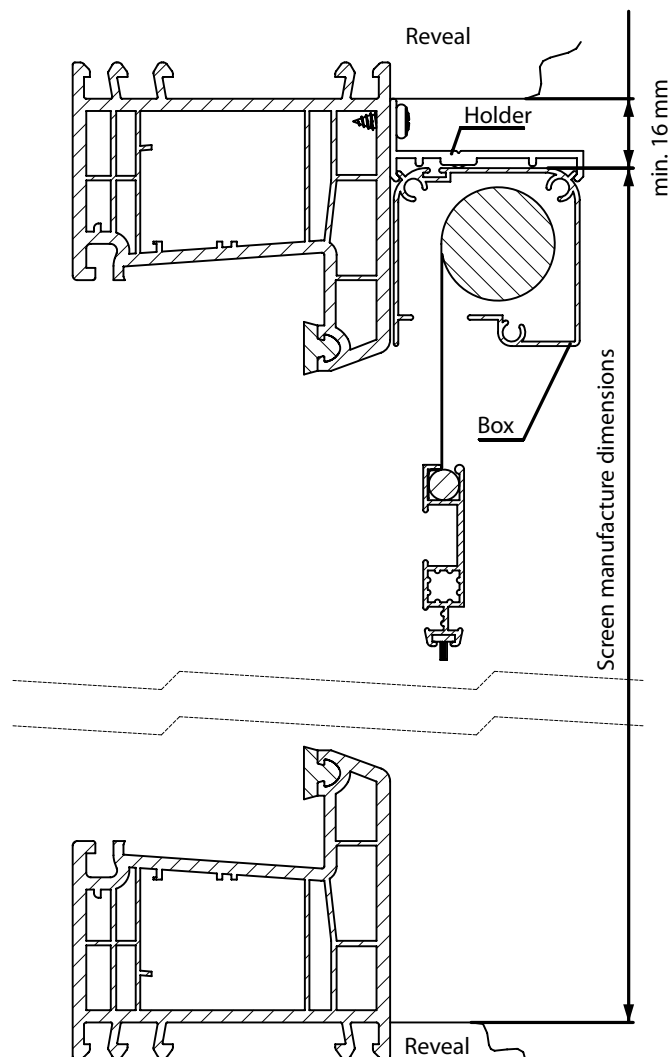
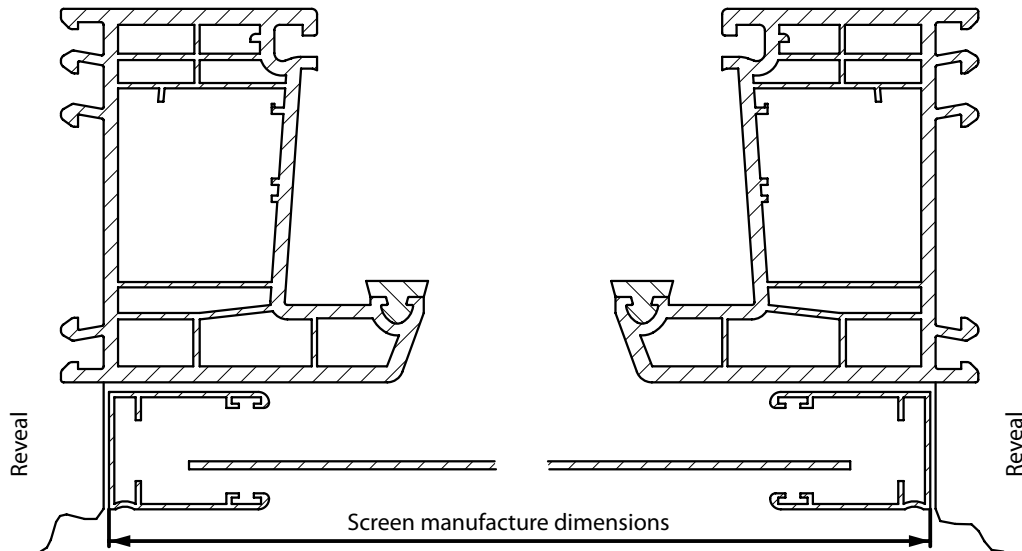
Insect Screen F10 (2-00381-0000)

position	Name of components	Abbreviation	Number of tech. drawing
10	Alu rod with mesh 1.75 m (incl. installation box and end rail)	SC 501	6-004430-xxxx
11	Alu rod with mesh 2.4 m (incl. installation box and end rail)	SC 502	6-004429-xxxx
20	Set of components – box	SC 504	6-004453-xxxx
23	Screw 3.9×16, DIN 7982 C, Zn, countersunk, Phillips	A 67/21	6-009450-0000
30	Guide rail 22 Al 30×22 mm	SC 503	6-004432-xxxx
40	Set of components for central lock	SC 505	6-004311-xxxx
50	Drawbar 1.3 m	SC 508	6-004310-xxxx
60	Brake	SC 511	6-004314-0000
70-71	Upper box holder for window installation	SC 510	6-004309-xxxx
72-73	Upper box holder for frame installation, PVC	SC 510/1	6-016310-xxxx
100-102	Brush 4.8×10 mm – GREY	SC 506	6-004315-0001
100	Brush for SL-I 4.8×20 mm	PR0158	6-001749-0000
110-111	Brush AW 4.8×10 mm	SC 507	6-004316-0000
130-131	Screw 4×25 Zn, round-head, Phillips	A 67/2	6-002289-0000
140-141	Screw 4×25 Zn, round-head, Phillips	A 67/2	6-002289-0000
170	End rail stop piece	SC 518	6-004454-0000

Insect Screen F10

Measuring

- In case of attachment to the jamb as well as the frame, it is necessary to measure the screen manufacture dimensions according to the location layout
- when measuring, remember that there must be the minimum required space for the holder (clip) of 16 mm above the screen box
- measure the screen at least in three points in width and height and state the lowest measured value
- these measured values are manufacturing dimensions to be stated in the order form
- the form must state whether the customer wishes the scrolling screen to contain the winding brake, as well; this is suitable for lower height screens, the winding of which is more rapid than - higher screens.



Insect Screen F10

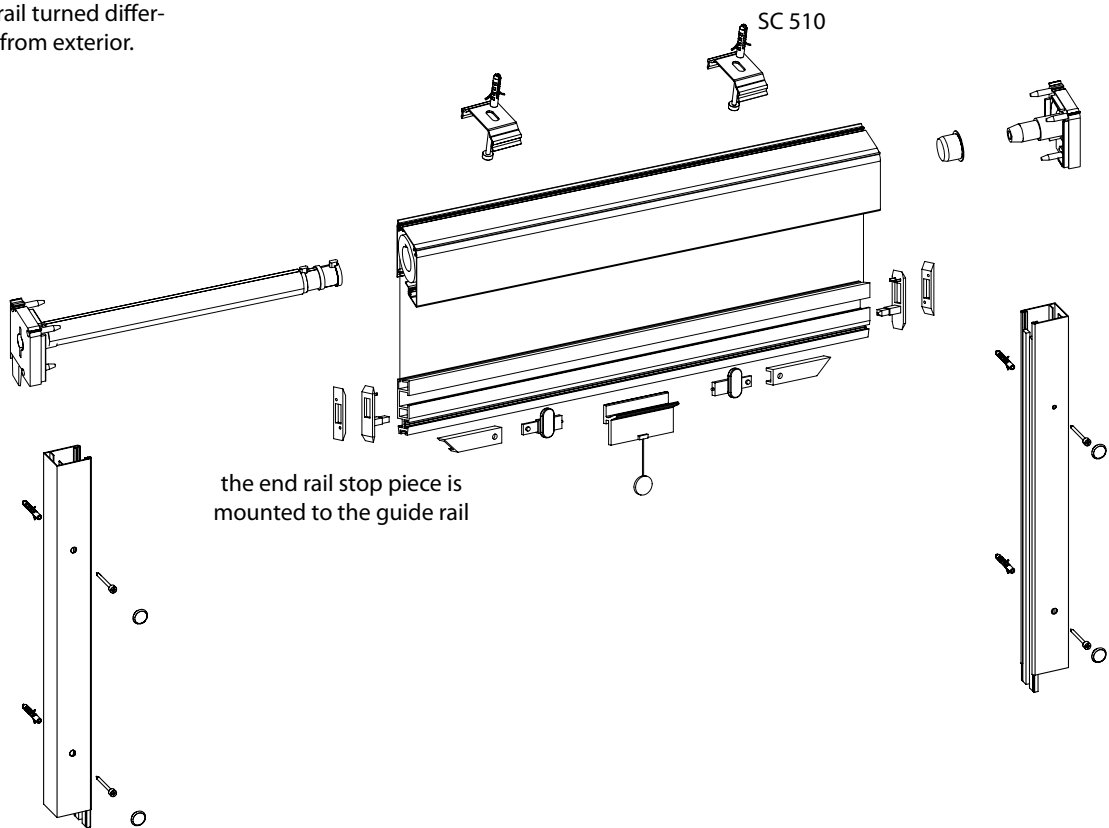
Installation

Scrolling Screen Installation in Reveal

- take the SC 510 holder, identify the holes to be drilled
- screw the holders (clips) on after drilling
- put the brush on the box in the upper slot, required for sealing the space between holders and box
- put the box in the holders and snap it on
- pre-drill holes in the guiding rails using the \varnothing 4 mm drill bit and recess them!!! Without recessing, the screw head would inhibit the locking wand track!!! The rail is not factory-predrilled!
- identify the drilled part, like on the box
- place the prepared guide rails to the box sideboard pins
- make sure the screen with the end rail is properly slipped in the guiding rail; make sure the end rail ending does not get into the locking stop slot; it would be impossible to pull the screen down
- make sure the AW brush (fixed bevelled) in the guiding rail is always by the window frame; it is to prevent the screen getting out of the guiding rail, such as in draught
- screw the guiding rails to reveal
- pull down the screen and adjust the locking stops, fitted in the guiding rails, as required; the stop has 4 Allen screws
- pull the screen up and down for several times to align the screen in the box after transportation
- test locking and tightness of the end rail to the parapet or other ending

WARNING

The figure has the end rail turned differently from reality. View from exterior.



Insect Screen F10

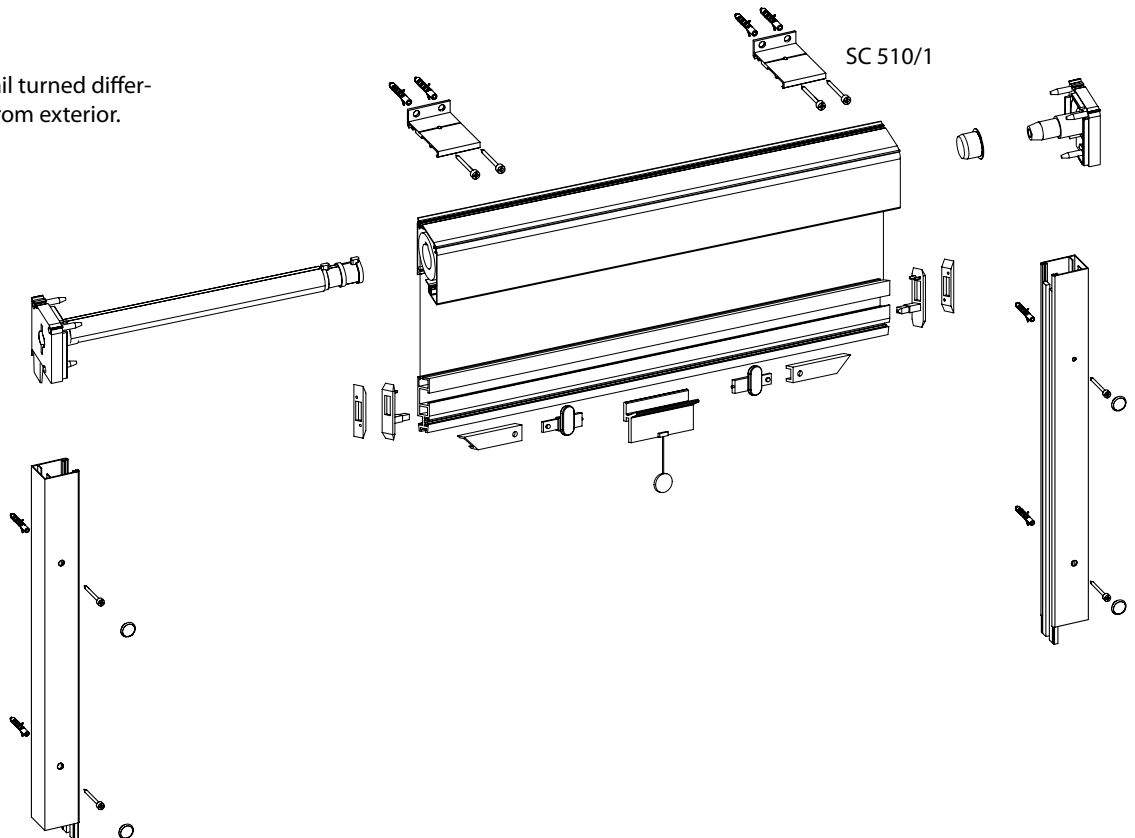
Installation

Scrolling Screen Installation on Window Frame

- take the SC 509 holders, place them to the assembly position on the box and lock them using an Allen head screw
- attach the box to the frame and identify holes for fixing the box
- pre-drill holes in the guiding rails using the \varnothing 4 mm drill bit through the guiding rail
- use the \varnothing 10 mm drill bit for the Installation aperture cover
- place the prepared guide rails to the box sideboard pins
- make sure the screen with the end rail is properly slipped in the guiding rail; make sure the end rail ending does not get into the locking stop slot; it would become impossible to pull the screen down
- make sure the AW brush (fixed bevelled) in the guiding rail is always by the window frame; it is to prevent the screen to get out of the guiding rail, such as in draught
- attach such assembled screen to the frame and screw the holders with the box to the window frame
- screw the guiding rails to the frame using recessed screws
- put the installation aperture cover in the aperture
- pull the screen down and adjust the locking stops in the guiding rails as required; the stop has 4 Allen screws
- pull the screen up and down for several times to align the screen in the box after transportation
- test locking and tightness of the end rail to the parapet or other ending
- put the end rail stops in the guiding rail as required; this mainly applies to those applications, which are not terminated with parapet or other ending.

WARNING

The figure has the end rail turned differently from reality. View from exterior.



Enclosed components including fastening material

- holder for fixing the box in reveal
- holder for fixing the box onto the window frame
- installation aperture cover (for installation on window frame)
- end rail stop (for installation on window frame)
- 4x40 mm screw (for installation in reveal)
- 4x20 mm screw (for installation of guiding rails on window frame)
- 4x16 mm screw (for installation of holders on window frame)

Tools for measuring and installation

- tape meter
- pencil
- cross-head screwdriver
- \varnothing 4 mm and \varnothing 10 mm drill bits
- drilling machine
- spirit level

Insect Screen G10

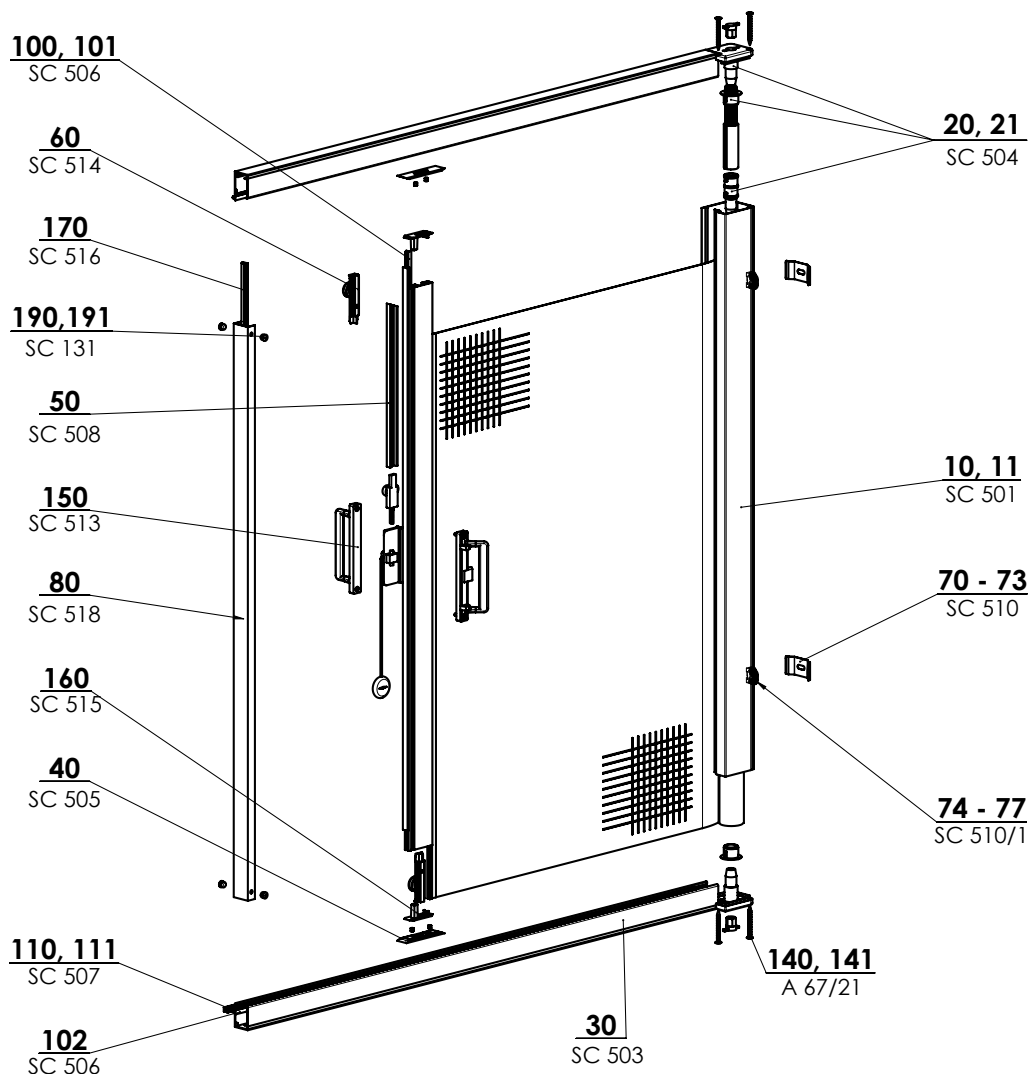


- ▲ optional vertical pulling up and down of screen
- ▲ 50 x 42 mm extruded aluminum box
- ▲ installation in reveal or on window frame requires drilling in window frame
- ▲ suitable for double-wing windows or balcony doors
- ▲ frame color design according to RAL scheme

ISOTRA *Quality*

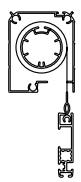
Insect Screen G10

Basic Product Specification



2-00382-XXXX-C

Specification

	Frame	Maximum Guaranteed Dimensions	Attachment Method	Installation Clips	Flange		Mesh			
					Inner	Outer	Grey	Black	Thick	White
Commercial Name Dimension (mm) Material	SC 504 vert. box 50 x 42 Al 	3.6 m2 max. height 2500 mm max. width 1400 mm	box holders on frame / in reveal	Based on dimensions	no	no	yes	no	no	no
Color	Standard: RAL 9003 White (double-sided) RAL 8019 Brown (double-sided)			Extra change: other RAL (double-sided)						

We do not make atypical designs.

Screen G10 (2-00382-0000)

position	Name of components	Abbreviation	Number of tech. drawing
10, 11	Alu rod with mesh 1.75 m (incl. installation box and end rail)	SC 501	6-004430-xxxx
20, 21	Set of components – box	SC 504	6-004453-9010
30	Guide rail 22 Al 30x22 mm	SC 503	6-004311-xxxx
40	Set of components for central lock	SC 505	6-004311-xxxx
50	Drawbar 1.3 m	SC 508	6-004310-xxxx
60	Guide wheel – black	SC 514	6-004464-9004
70-73	Upper box holder for window installation (white/black)	SC 510	6-004309-9010/9004
74-77	Upper box holder for frame installation, PVC (white/black)	SC 510/1	6-004451-9010/9004
80	Alu closure section, lowered 22x24 (colourless)	SC 518	6-016681-0000
100-102	Brush 4.8x10 mm – grey	SC 506	6-004315-0001
110-111	Brush AW 4.8x10 mm	SC 507	6-004316-0000
140-141	Screw 3.5x13, DIN 7504 O, Zn, countersunk, Phillips	A 67/21	6-003112-0000
150	PVC double-side handle – pair – white/black	SC 513	6-004466-9010/9004
160	End rail stop piece – pair – white/black	SC 515	6-004465-9010/9004
170	Magnets for the closure section – both poles	SC 516	6-004467-0000
190	Blind rivet Al 4x6 DIN 7337 A, white	SC 131	6-002678-9010
191	Blind rivet Al 4x6 DIN 7337 A, brown	SC 131	6-002678-8014

Insect Screen G10

Measurement and assembly manual

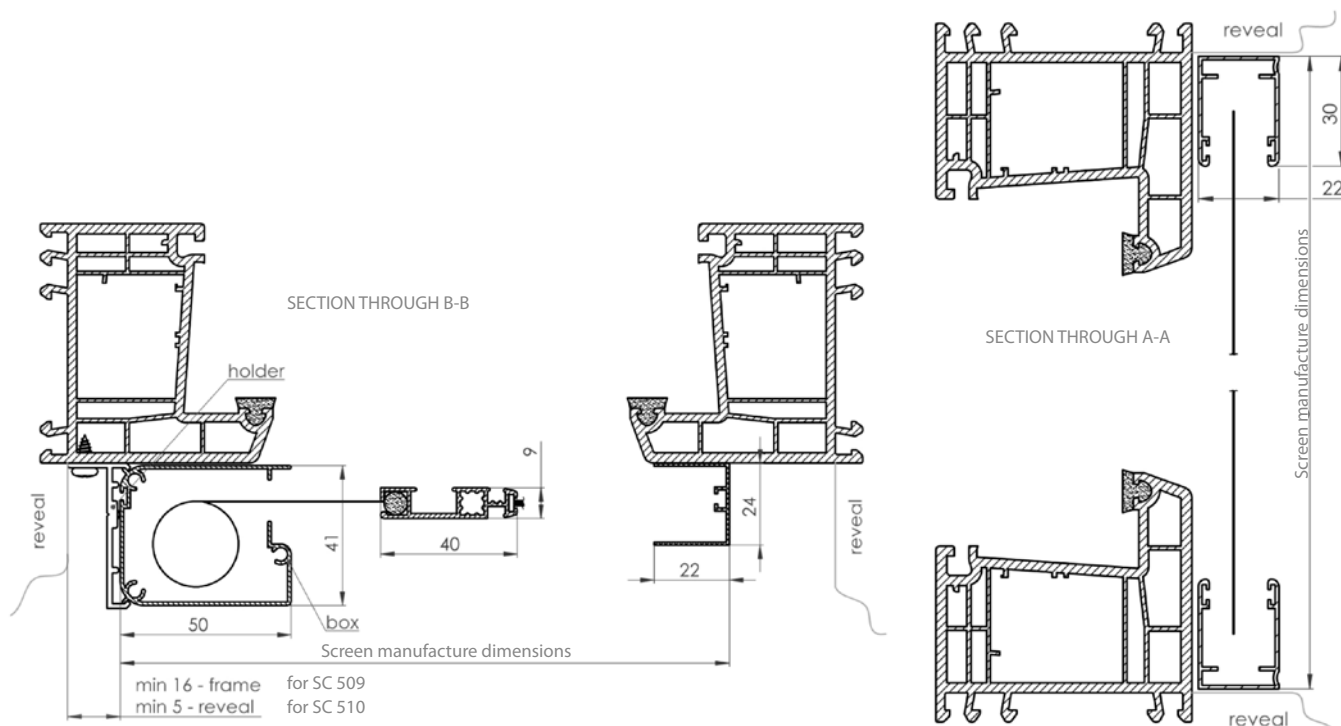
MEASUREMENTS

Simple screen

- the screen is locked in the closed position by a magnetic strip in the end rail and by the closing profile
- when measuring, it is necessary to take into consideration that there must be the required room for the holder (clamp) min. 16mm beside the screen box
- for the type fixed into the reveal and on the frame, a hole is measured into which the screen will be fitted
- the screen is measured as a minimum, at three points for the height and width and the minimum measured value is recorded
- these measured values are manufacturing dimensions that are stated in the order form
- Simple screens are produced in widths of 500 mm to 2500 mm and up to a height of 2500 mm.

Double screen

- the screen is locked in the closed position by a magnetic strip in the end rail and by the central lock
- when measuring, it is necessary to take into consideration that there must be the required room for the holder (clamp) min. 16mm beside the screen box
- for the type fixed into the reveal and on the frame, a hole is measured into which the screen will be fitted
- the screen is measured as a minimum, at three points for the height and width and the minimum measured value is recorded
- these measured values are manufacturing dimensions that are stated in the order form and indicated as the "Control centre"
- Double screens are produced in widths of 500 mm to 2500 mm and up to a height of 2500 mm.



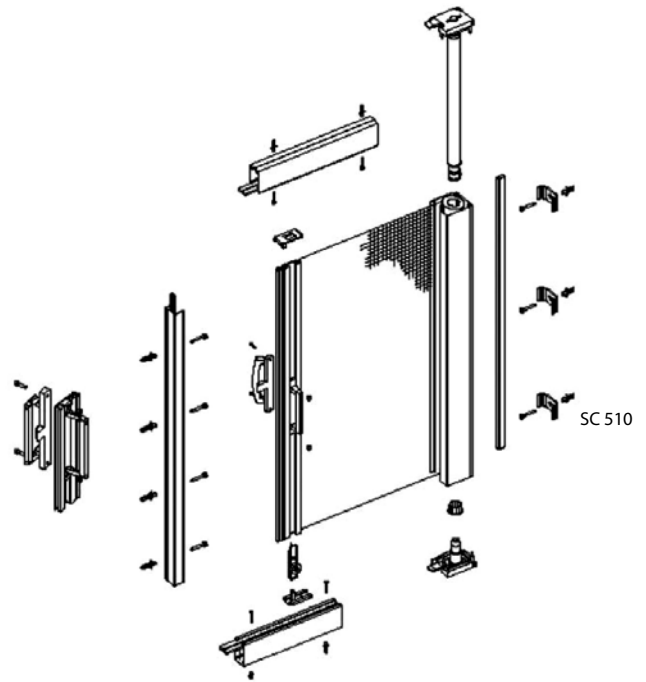
Insect Screen G10

Measurement and assembly manual

ASSEMBLY

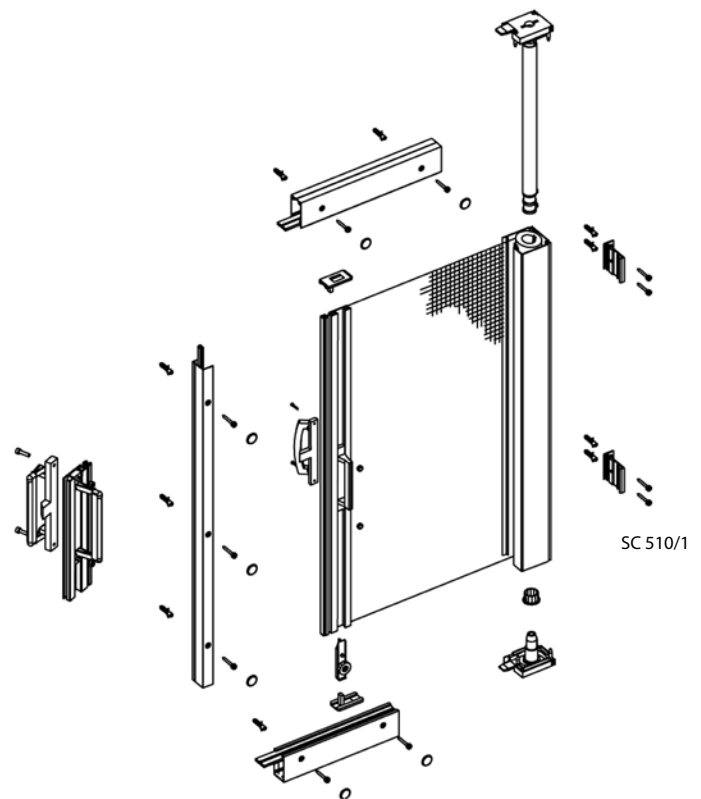
Assembly of simple screen into the reveal

- take holders SC 510, mark holes for drilling
- attach the holders (clamps) after drilling
- attach the brush on the box into the upper groove; this is required for sealing the area between the holders and the box
- fit the box into the holders and click it
- drill into the holes on the guide bar using a 4mm diameter drill and deepen the hole. The rail is not factory-predrilled!
- mark the drilled part, the same as the box
- attach the prepared leading bars into the nosing on the side part of the box
- make sure that the screen with the terminal bar is correctly fitted on the guide bar. Pay attention that end of the terminal bar is not located in the groove for the locking arrester!
- ensure that the AW brush (firm, beveled) in the guide bar is always at the window frame. This serves for moving the screen from the guide bar, e.g. during a draught
- on the guide bars fit the closing profile and rivet it with the guide bar. When fitting the closing profile, it is necessary that the magnetic strip in the profile is off-centre. The magnetic strip must be close to the frame.
- use screws to attach the guide rails and the closing profiles to the jamb and door head
- adjust the travel wheels
- move the screen several times in the upward and downward direction to align the screen in the box after the move
- test the fixation



Assembly of the simple screen on the window (door) frame

- take the SC 509 holders, place them to the assembly position on the box and lock them using an Allen head screw
- place the box on the frame and mark the holes for fixing the box
- drill into the guide bars and the closing profile holes with a 4mm diameter drill and a 10mm diameter drill for the cover of the assembly hole, only on the facing wall! The rail is not factory-predrilled!
- mark the drilled part, the same as the box
- place the prepared guide rails to the box sideboard pins
- make sure that the screen with the terminal bar is correctly fitted on the guide bar. Pay attention that the end of the terminal bar is not located in the groove for the locking arrester!
- ensure that the AW brush (firm, beveled) in the guide bar is always at the window frame. This serves for moving the screen from the guide bar, e.g. during a draught
- on the guide bars, fit the closing profile and rivet it with the guide bar. When fitting the closing profile, it is necessary to make certain that the magnetic strip in the profile is off-centre. The magnetic strip must be close to the frame.
- screw the guide bars and the closing profile I on the window (door) frame
- adjust the travel wheels
- move the screen several times in the upward and downward direction to align the screen in the box after the move
- test the fixation

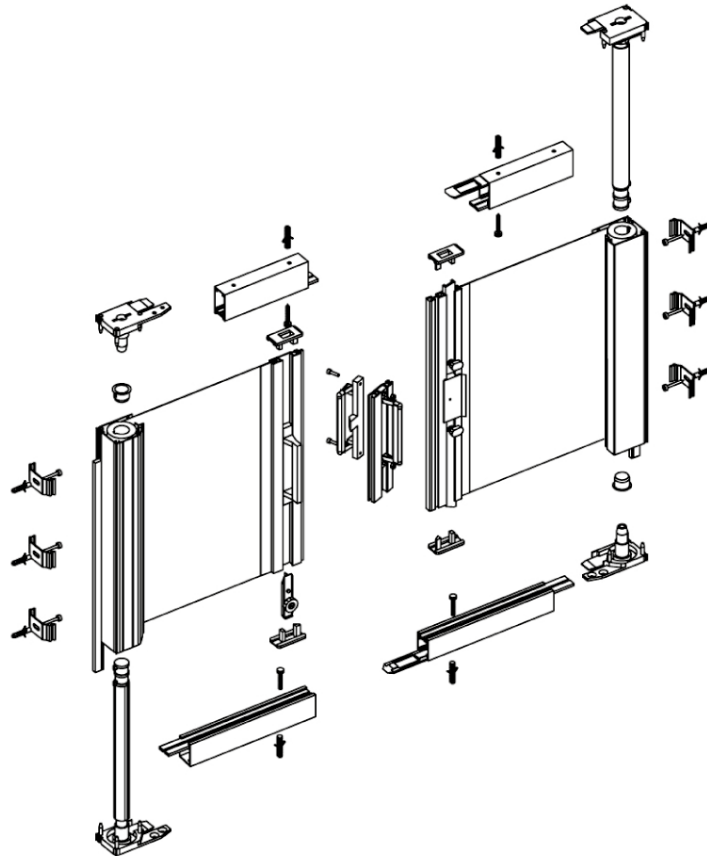


Insect Screen G10

Measurement and assembly manual

Assembly of the double screen into the reveal or on the window (door) frame

- The assembly of the double screen into the reveal or on the window (door) frame is the same as for the assembly of simple screens. The difference is that the double screen has two boxes and instead of the lifting profile there is a central lock as in the case of roll screen F10. The screen is secured with the magnetic strip in both terminal guides.



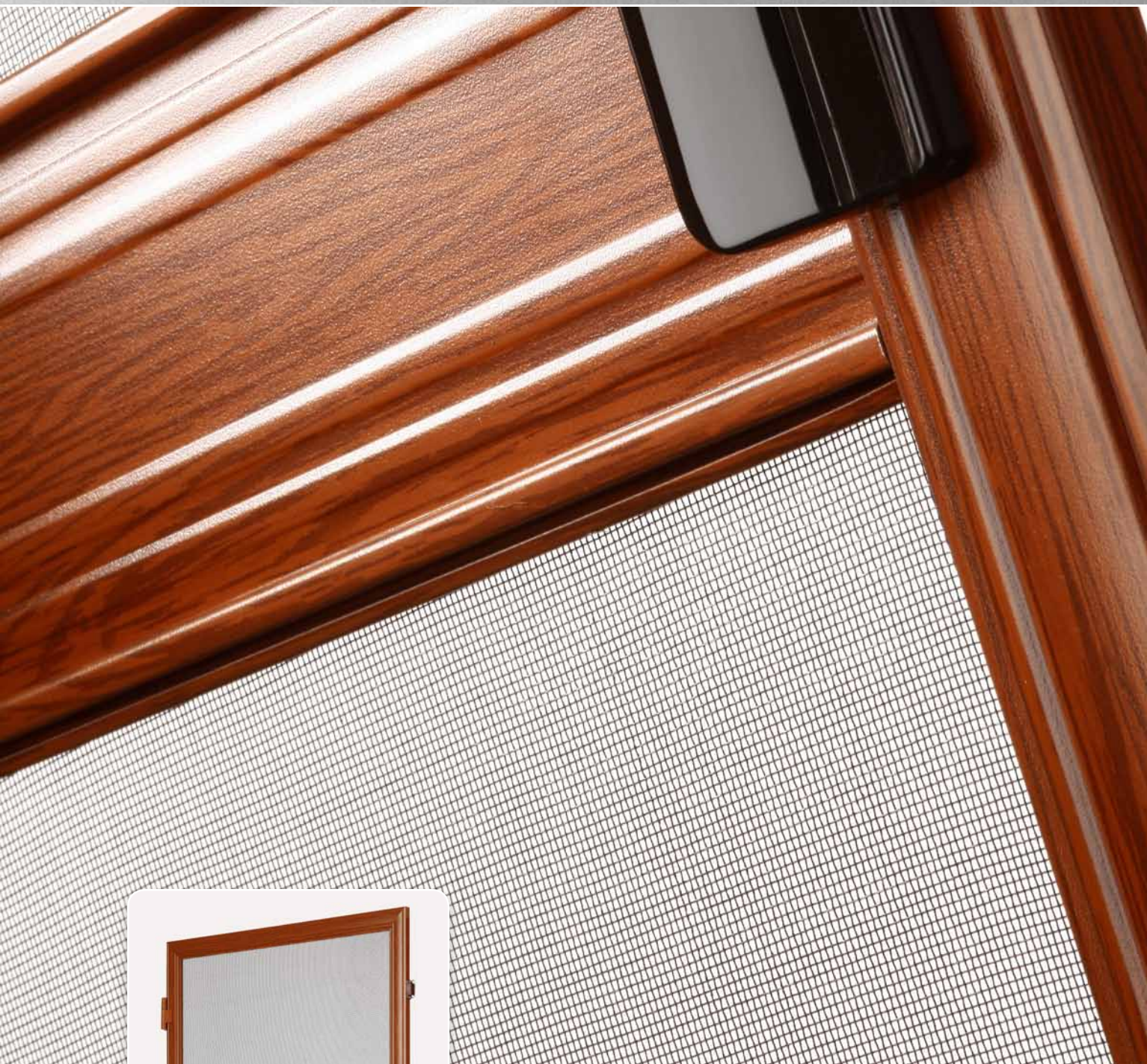
ATTACHED COMPONENTS, INCLUDING ANCHORING MATERIAL

- holder for fixing the box into the reveal
- holder for fixing the box on the window frame, cover of the assembly hole (for assembly on the window frame)
- screw 4x40mm (for assembly into the reveal)
- screw 4x20mm (for the assembly of guide bars on the window frame)
- screw 4x16mm (for the assembly of holders on the window frame)
- cutting rivet 4x6mm (for riveting the closing profile and guide bar)

TOOLS FOR MEASUREMENT AND ASSEMBLY

- metre rule
- pencil
- cross-head screwdriver
- drills, diameter 4mm and diameter 10mm
- electric drill
- riveting pliers
- spirit level

Insect Screen H1

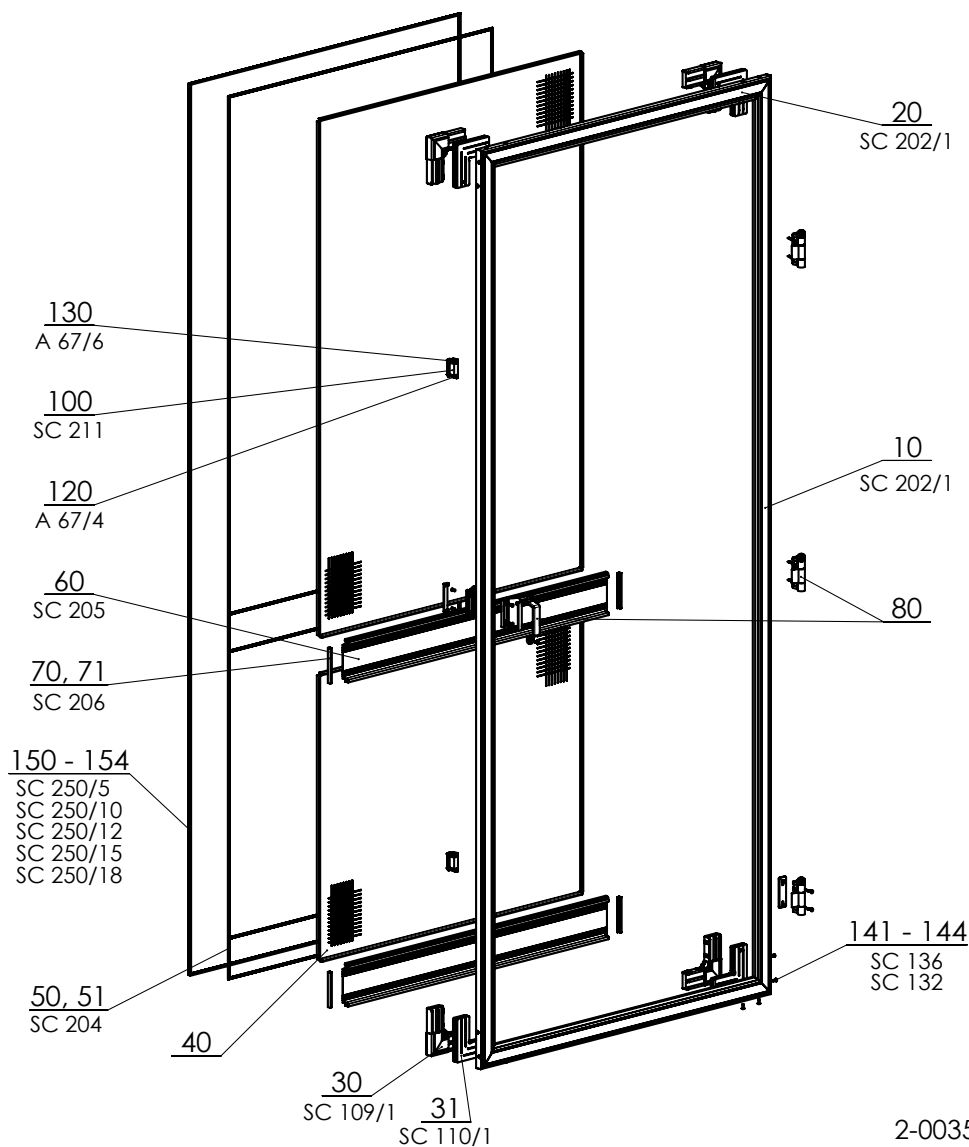


- ▲ 51 x 20 mm rolled aluminum frame
- ▲ higher frame rigidity
- ▲ easy to remove from window or balcony door
- ▲ frame color design according to RAL scheme, wood imitation or double-sided renolit-coating

ISOTRA *Quality*


Insect Screen H1

Basic Product Specification



2-00358-XXXX-C

Specification

	Frame	Maximum Guaranteed Dimensions	Attachment Method	Installation Clips	Flange		Mesh			
					Inner	Outer	Grey	Black	Thick	White
Commercial Name Dimension (mm) Material	SC 202 / 1 51 x 20 Al 	3 m ² max. height 2400 mm max. width 1500 m	self-closing hinges	3	yes	yes	yes	yes	yes	yes

Color

Standard:
 RAL 9003 White (double-sided)
 RAL 8019 Brown (double-sided)
 RAL 7016 anthracite gray (double-sided)

Extra change:
 other RAL (double-sided)
 wood imitation (double-sided)
 renolit (single-sided/double-sided) according to the current sampler
 Isotra Systém Decoral I. end II. according to the current sampler

We do not make atypical designs.
 The central and foot reinforcements are standard accessories.

It is valid for the white mesh that one of the measures (width or height) have to be smaller than 1450 mm.
 For reinforced netting, one of the dimensions (width or height) must be less than 1150 mm.
 For black and gray netting, one of the dimensions (width or height) must be less than 1750 mm.

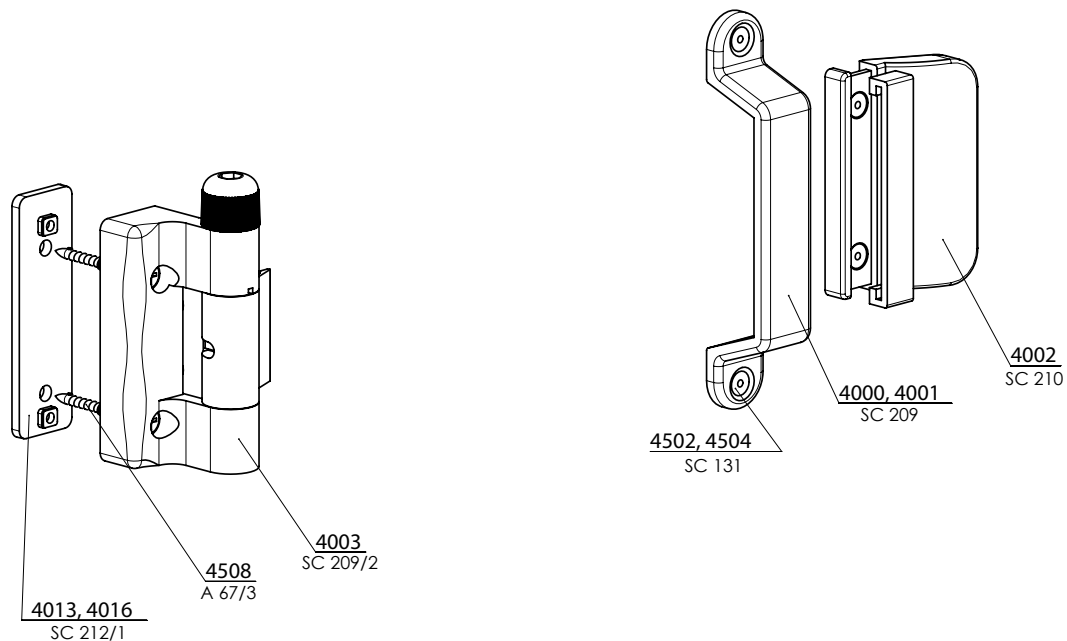
Insect Screen H1 (2-00358-0000)

Position	Name of components	Abbreviation	Number of tech. drawing
10-20	Profile Al 52x20 H1	SC 202/1	3-01176-xxxx
30	Angle, plastic H1 external	SC 109/1	2-00379-xxxx
31	Angle, plastic H1 internal	SC 110/1	2-00393-0000
40	Insect screen		
50-51	Locking rubber 6,00mm - transparent	SC 204	6-003094-0000
60	Horizontal reinforcement for door screen	SC 205	6-001454-xxxx
70-71	Door bar holder	SC 206	6-001457-xxxx
80	Bracket INSECTA		viz. Profile bracket INSECTA
100	Magnet	SC 211	6-001463-9010
120	Screw 3,5x9,5 mm	A 67/4	6-003096-0000
130	Screw 3x10 mm	A 67/6	6-003137-0001
141-143	Rivet 4x10 DIN 7337 A	SC 136	6-002680-0000
144	Rivet 4x8 DIN 7337 A	SC 132	6-003068-8003
150	Brush 6,7x500 S	SC 250/5	6-001314-0500
151	Brush 6,7x1000 EC	SC 250/10	6-001314-1000
152	Brush 6,7x1200 EC	SC 250/12	6-001314-1200
153	Brush 6,7x1500 EC	SC 250/15	6-001314-1500
154	Brush 6,7x1800 EC	SC 250/18	6-001314-1800

Profile bracket INSECTA – Position 80

Profile bracket INSECTA H1

Position	Name of components	Abbreviation	Number of tech. drawing
4000, 4001	Exterior Al handle	SC 209	2-00555-XXXX-B
4002	Plastic handle	SC 210	2-00555-XXXX-B
4003	Self-closing hinge R	SC 208/2	2-00555-XXXX-B
4003	Self-closing hinge L	SC 209/2	2-00555-XXXX-B
4013, 4016	Hinge washer	SC 212/1	2-00555-XXXX-B
4502, 4504	Rivet 4x6	SC 131	2-00555-XXXX-B
4506	Rivet 4x10	SC 136	2-00555-XXXX-B
4508	Screw 4x30	A 67/3	2-00555-XXXX-B



2-00555-XXXX

Insect Screen H1

Measuring

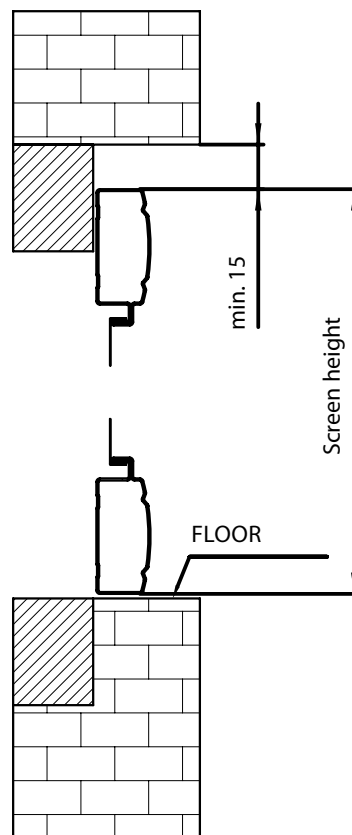
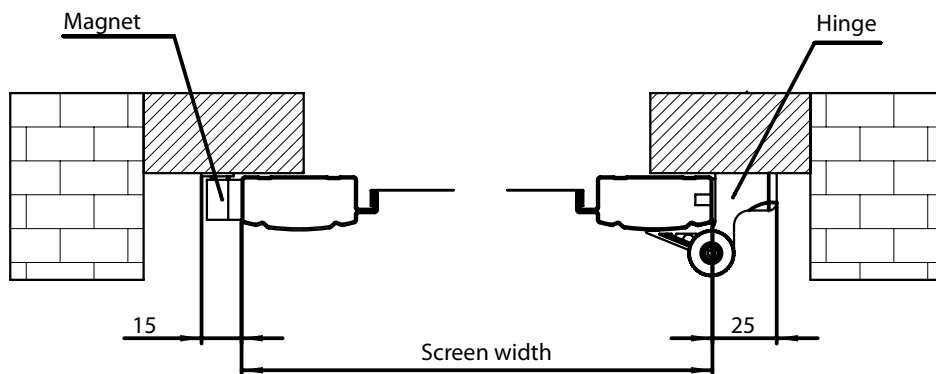
Always measure the outer screen dimensions – dimension required for manufacture. Remember that there must be space required for the hinges and magnetic locks available next to the screen frame.

Space for hinges = 25 mm

Space for magnet = 15 mm

Space for removal = 15 mm of height

The central partition position is optional. Partition width is 110 mm.



Insect Screen H1

Installation

The screen is to be mounted by screwing the screen hinges on. Attach the screen with hinges to the frame, identify points for hinge screws (you can pre-drill the apertures for hinge screws) and tighten them.

Standard door screen delivery includes:

- 3 door hinges, 2 magnetic locks, 1 handle
- 4x25 screws for hinges, 3x10 screws for magnet, TEX3.5x13 screw for magnet, tearing rivets for handles.

We supply 3 hinges and 2 magnets for screen size exceeding 2000 x 800 mm. The hinges are pre-stressed in the factory. If you require higher pre-stress, push the hinge pin out, rotate the hexagon using the 6 mm Allen wrench clockwise and push the upper part of hinge back to the hexagon.

Figure 1

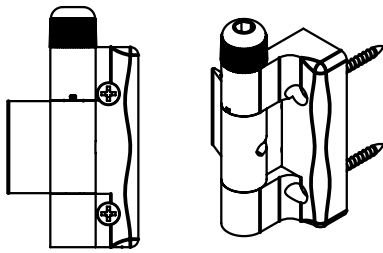
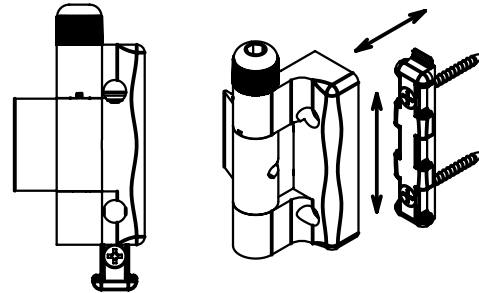
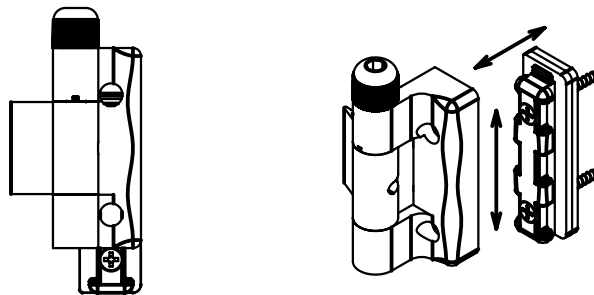


Figure 2



Assembled Hinges

Figure 3



When using brushes on the door screen, washers need to be used under the hinges. The number of washers is to be determined based on the brush size.

This door screen can be dismantled (dismounted without a need to disassemble it) even with the hinges (Figure 2).

Installation Tools:

- tape meter
- pencil
- screwdriver (powered)
- drill bit with diameter of 2 mm
- drilling machine
- tearing riveting machine
- 6 mm Allen wrench

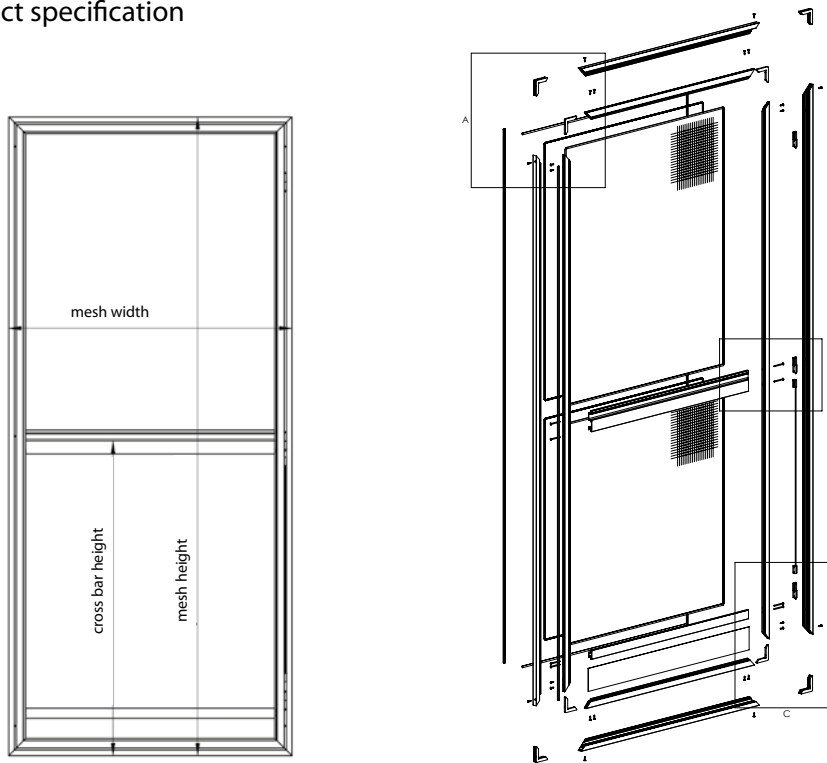


- ▲ Extruded aluminium frame, dimensions 31.5 × 12 mm
- ▲ Higher frame stiffness
- ▲ Easy assembly and disassembly
- ▲ Frame colour according to the RAL colour table and as imitation wood (Decoral)


ISOTRA *Quality*

Insect screen H2 (2-01808-0000)

Basic product specification



Specification

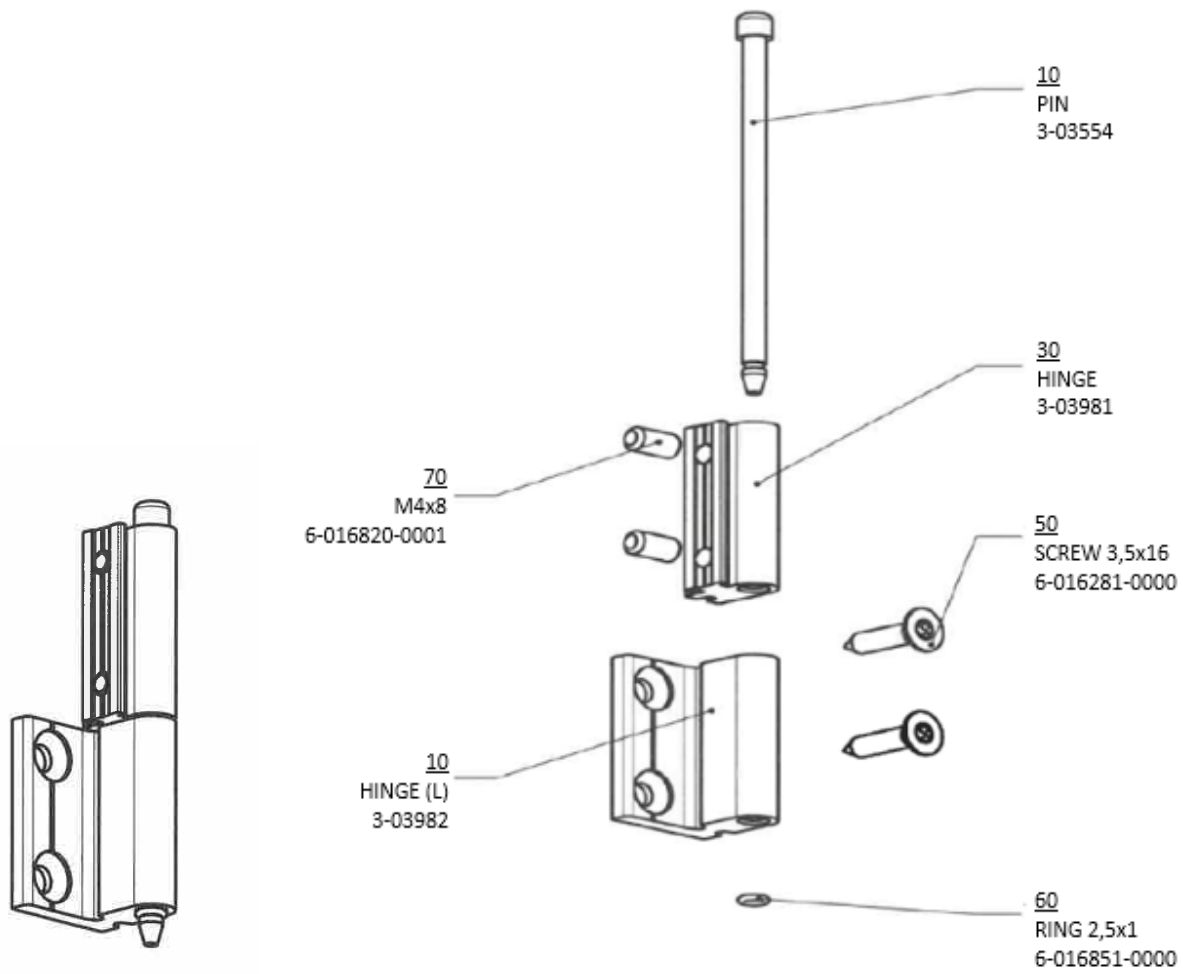
	Frame	Max. guaranteed dimensions	Attachment Method	Installation Clips	Flange		Mesh		
					Inner	Outer	Grey	Black	Thick
Commercial Name Dimension [mm] Material	SC 228 31,5 x 12 Al 	2,88 m ² V _{max.} = 2400 mm S _{max.} = 1200 mm	hinges	3	yes	yes	yes	yes	yes
Color	STANDARD RAL 9003 white (double-sided) RAL 8019 brown (double-sided)			EXTRA CHARGE other RAL (double-sided) wood imitation Decoral (double-sided)					

Central and kick-plate braces are installed in standard versions.

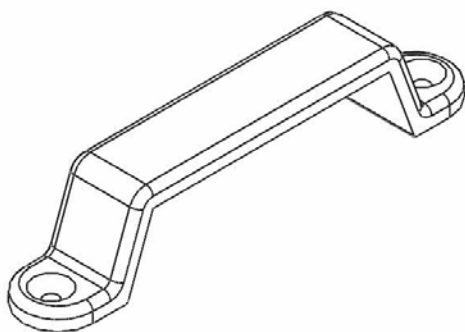
The following applies to the grey and black meshes: one of the dimensions (width or height) must be less than 1750 mm.

The following applies to the reinforced mesh: one of the dimensions (width or height) must be less than 1150 mm.

Position	Name of item	Commercial name	Drawing No.
10	Frame profile with a groove		3-03544-PU11
20	Frame profile with a groove, horizontal		3-03545-PU11
30	Corner profile, DS		3-03985-0000
40	Mesh		
50-51	Protective rubber 6 mm – transparent	SC 204	6-003094-0000
60	Kick-plate profile, DS		3-03549-PU11
61	Kick plate, varnished		3-03558-PU11
62	Hinge A		2-01620-xxxx
65	Closer R		2-01779-xxxx
66	Closer L		2-01784-xxxx
80	Al handle, outdoor	SC 209	6-001387-xxxx
100	Screw 3.5x50, A2 Torx, ISO 14586 C		6-016819-0000
110	Screw 3.5x16, A2 Torx, ISO 14586 C		6-016281-0000
141-143	Blind rivet, Al, 4x10 DIN 7337 A	SC 136	6-002680-xxxx
144	Blind rivet, Al, 4x8 DIN 7337 A	SC 132	6-003068-8003
150-151	Brush 6.7x1000 EC (height: 10 mm)	SC 250	6-001314-1000
160	Adhesive magnetic profile		6-016886-0000
161	Magnetic profile		6-016848-0000



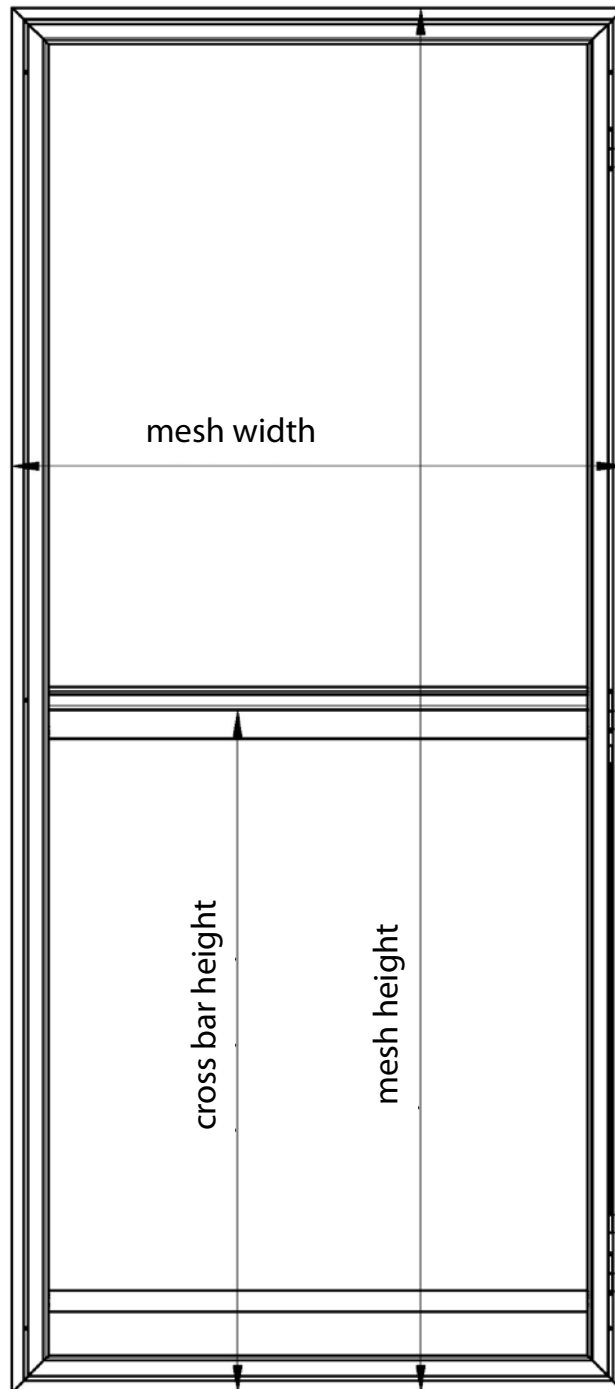
Hinge 6-01620-XXXX

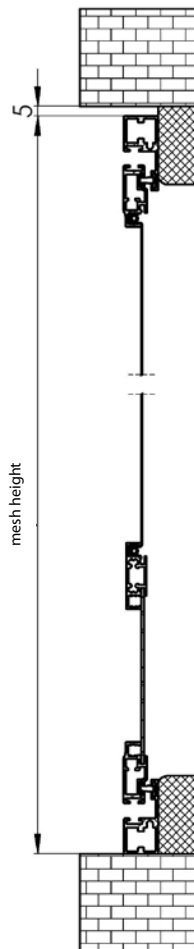
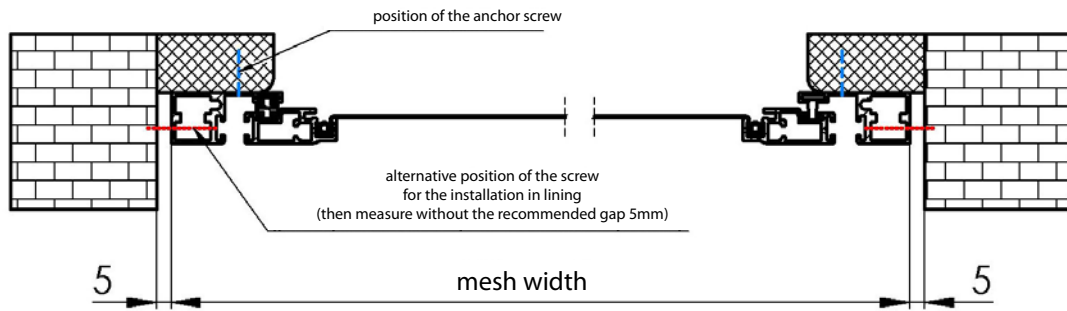


Handle AL – SC 209 (6-001387-0000)

Measuring – Insect Screen H2

Always measure the outer dimensions of the screen – these dimensions are necessary for manufacturing. Other dimensions are only recommended – the upper/lower clearance of at least 5 mm. Below the screen can sit directly on the floor.





Installation – Insect Screen H2

Installation is performed by attaching the screen hinges. Place the screen with the hinges to the frame and mark the holes for the hinge screws (you can pre-drill the screw holes). Then screw the hinges down.

Note: we do not make holes in the frame for assembly, we supply plugs (hole diameter 10 mm). We recommend three mounting holes on each side (six holes in total).

The standard door screen package includes:

- Insect Screen H2 in the frame

TOOLS FOR ASSEMBLY

- metre ruler
- pencil
- screwdriver (accumulator)
- drill, diameter 2mm
- electric drill

Pleated insect screen PS1, PS1 V

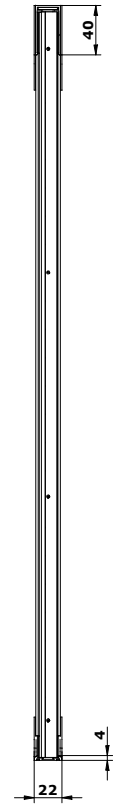
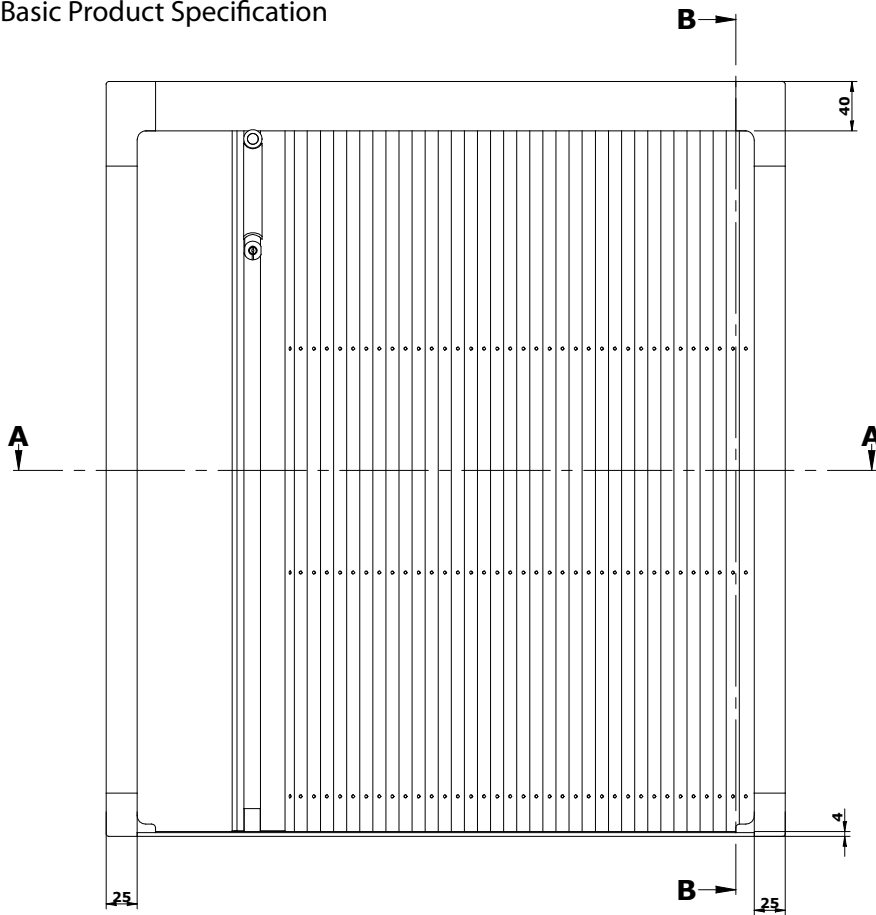


- ▲ Vertical
- ▲ 4 mm lower profile
- ▲ Assembly into reveal and on the frame
- ▲ Modern design

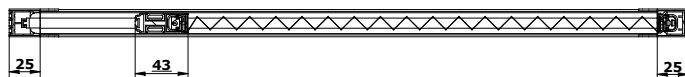
ISOTRA *Quality*

Pleated Insect Screen PS1, PS1 V

Basic Product Specification



SECTION B-B



SECTION A-A

2-01293-000V (PS1)
2-01295-100V (PS1V)

Limit dimensions

	Min. width (mm)	Max. width (mm)	Min. height (mm)	Max. height (mm)
PS1	700	2500	1750	2750
PS1 V*	700	2500	800	1700
			2800	3400

*nonstandard delivery

Standard colours PS1

Mesh	Frame	Plastic parts
Grey Black	RAL 9010 White RAL 1013 Ivory RAL 8017 Brown RAL 7016 Anthracite RAL 6005 Green mat	White Black Brown Ivory

Note: other RAL and DECORAL colours for extra charge

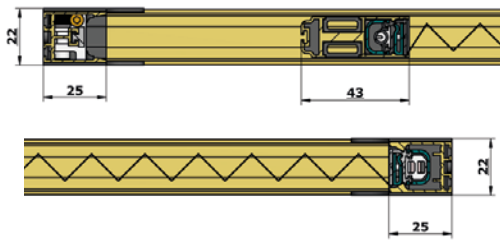
Standard colours PS1 V

Mesh	Frame	Plastic parts
Grey Black	RAL 9010 White RAL 1013 Ivory RAL 8017 Brown RAL 7016 Anthracite RAL 6005 Green mat	White Black Brown Ivory

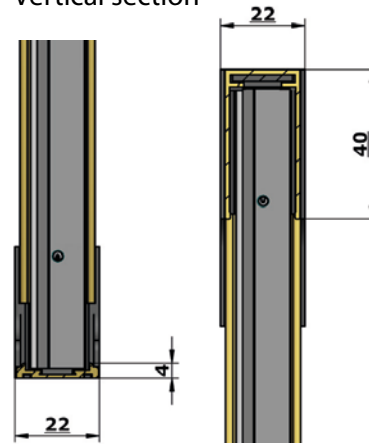
Note: colour RAL 7035 for extra charge

Pleated insect screen PS1, PS1 V Profiles

Horizontal section

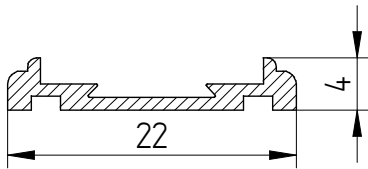


Vertical section

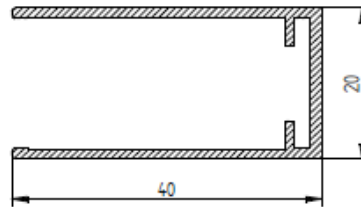


Profiles into reveal

Lower profile 4mm NA, DO (7-303169-5000)

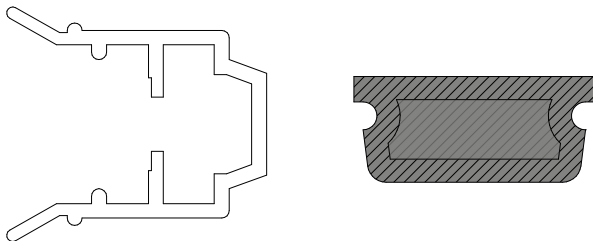


Profile AL-upper channel 40 mm DO (7-303172-5000)

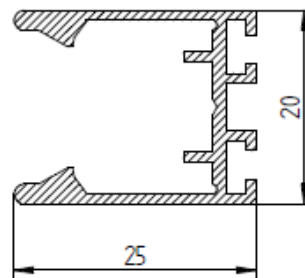


Magnet channel new (6-018747-5000)

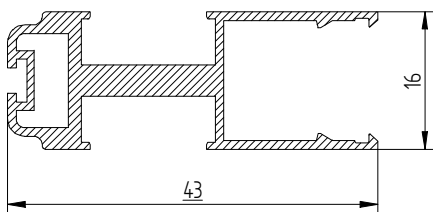
Magnet new (6-013421-0005)



Profile AL-side start channel 25 mm DO (7-303170-5000)

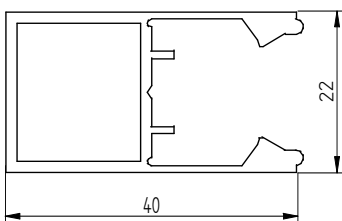


Movable channel NA, DO (7-303171-5000)

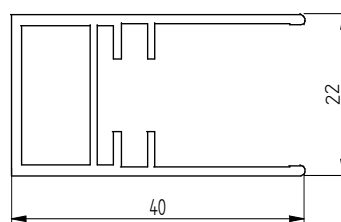


Profiles on the frame

Profile AL-side channel 40 mm NA (7-303168-5000)



Profile AL-upper channel 40 mm NA (7-303167-5000)

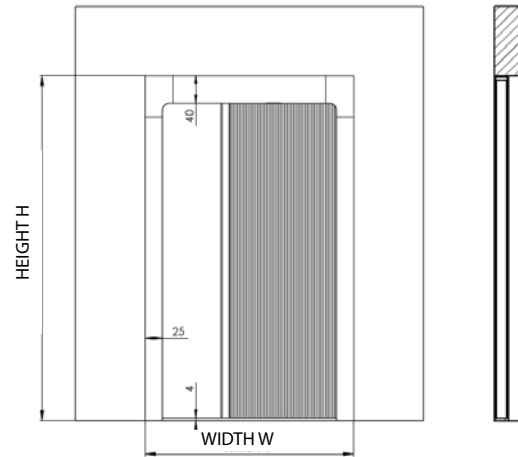


PLEATED INSECT SCREEN PS1, PS1 V

1. MEASUREMENT

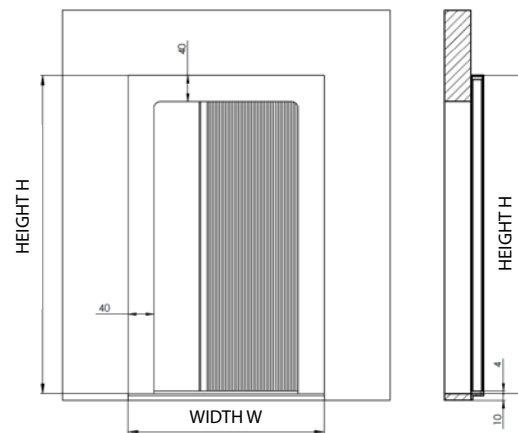
1.1. Measurement for reveal

Measure the width and height of aperture, to which the screen is to be installed. Measure in 3 places, specify the smallest value.



1.2. Measurement for fram

Measure the external screen size.



2. INSTALLATION

Installation to reveal



1. Frame installation

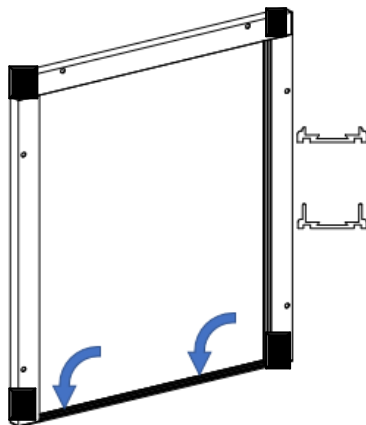
Fit the plastic parts to the upper profile. Remove the protective film from the sticker and attach the upper profile to the place of installation. Correct any differences in length by moving the plastic corner parts.

Insert the side guide profile to the plastic corner part, first in the upper corner, then in the lower, and fasten with screws supplied.



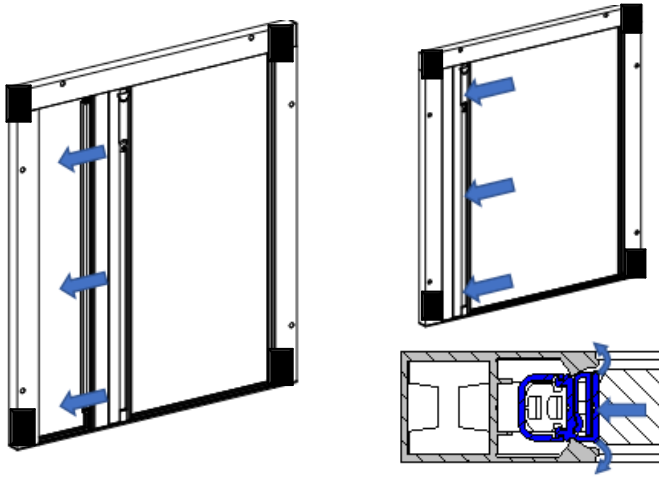
2. Installation of the guide profile on the opposite side

Insert the side guide profile on the opposite side to the plastic corner part, first in the upper corner, then in the lower, and fasten with screws supplied.



3. Installation of the lower guide profile

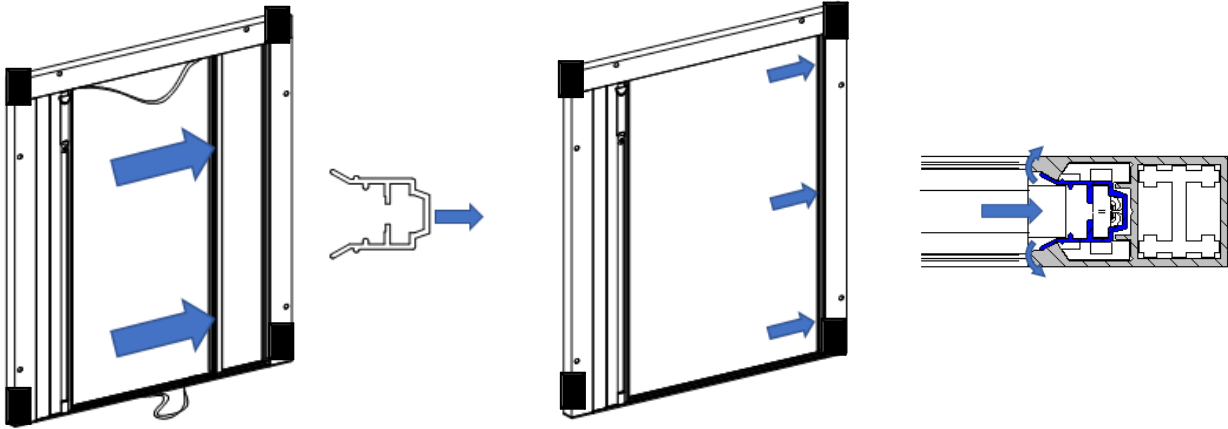
Remove the protective film from the sticker and attach the lower profile to the place of installation (floor).



4. Inserting and fastening the KIT screen

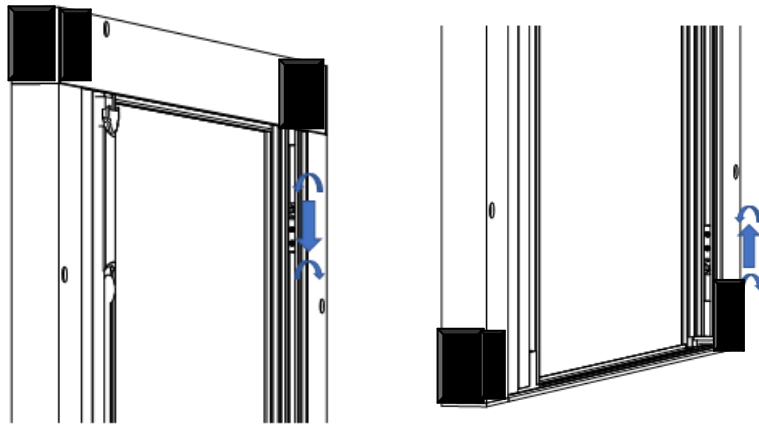
Insert the assembly with the KIT to the upper profile and lower rail. Move the assembly towards the side guide profile. Push the assembly to the side profile until it fits in place (all the way). Always start pushing from below.

Pay attention to the orientation of the disassembly hole!



5. Inserting the magnet guide profile

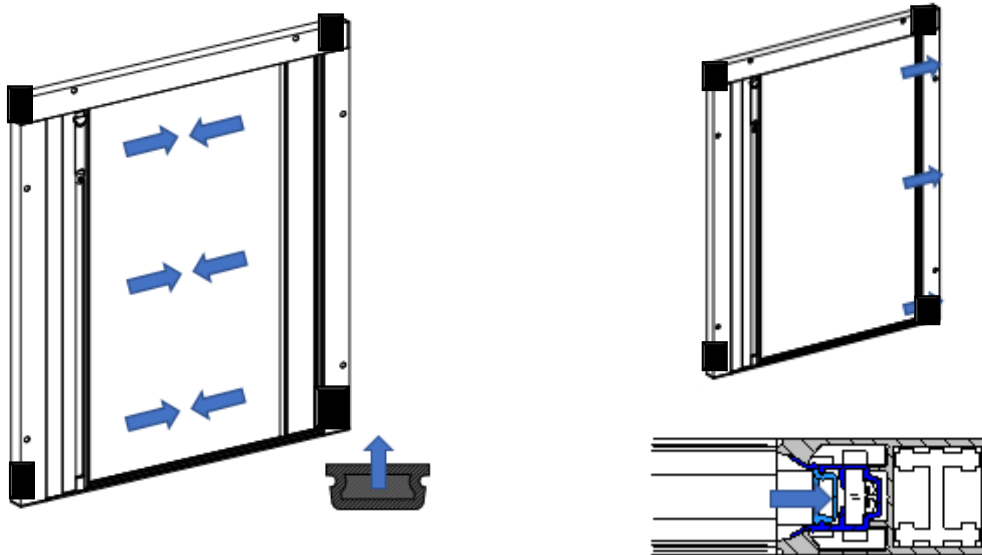
Insert the magnet guide profile with cords to the side guide profile. Push the magnet guide profile to the side guide profile until it fits in place. Always start pushing from below



6. Adjusting the tension cords

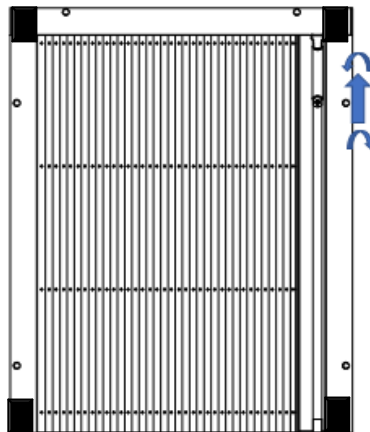
6a Adjust the cord tension by shifting the **upper** adjusting element. Check the tension of the screen cords, shut and open the screen several times, and if necessary, make fine adjustments to the cord tension by shifting the upper or lower adjusting element.

6b Adjust the cord tension by shifting the **lower** adjusting element. Check the tension of the screen cords, shut and open the screen several times, and if necessary, make fine adjustments to the cord tension by shifting the upper or lower adjusting element.



7. Inserting the magnet

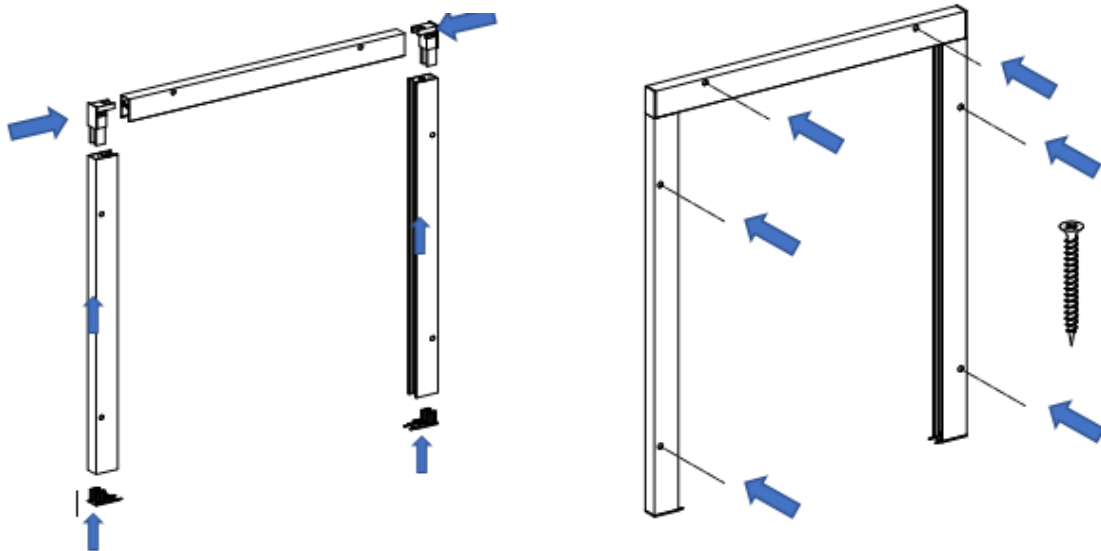
Check the magnet polarity against the KIT polarity. Insert the magnet to the magnet guide profile, push until the magnet fits in place. Always start pushing from below.



8. Plastic component with spring

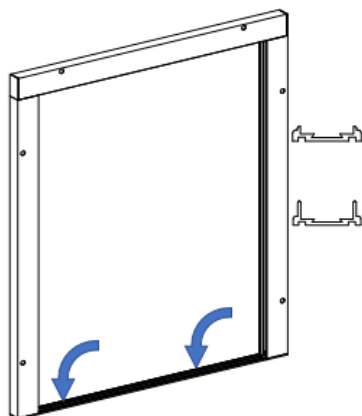
It is recommended to use this component in doors that are not right-angled. If the door is right-angled, it is not necessary to use the component. Insert the plastic profile with spring to the KIT guide rail. Slightly push the plastic component towards the upper profile and tighten the screws. The component must be slightly flexible.

2.1. INSTALLATION TO FRAME



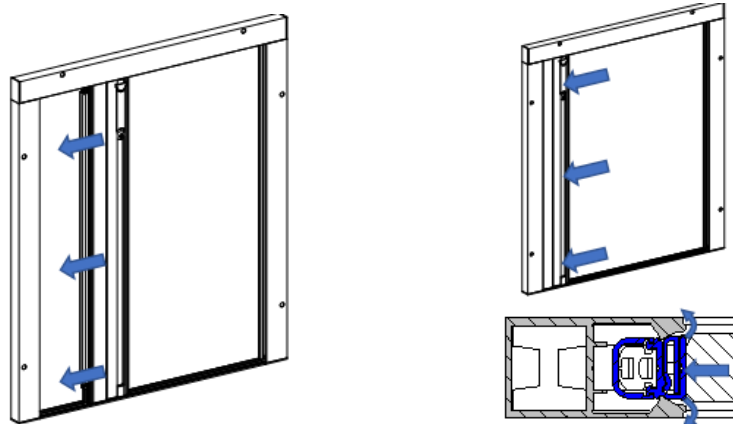
1. Install the upper and side guide profiles to the frame.

2. Use screws to fasten the frame to the reveal.



3. Installing the lower guide profile

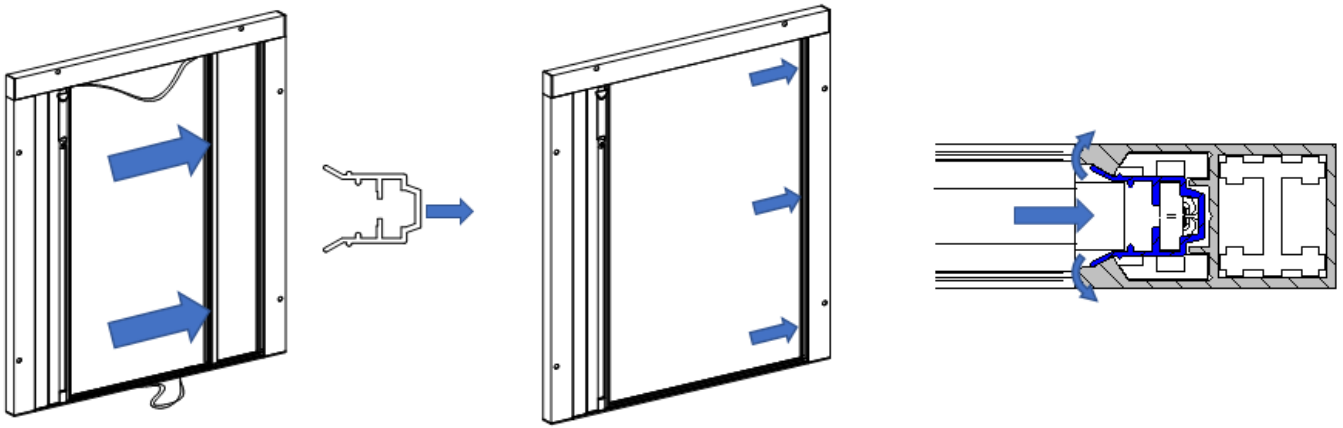
Remove the protective film from the sticker and attach the lower profile to the place of installation (floor).



4. Inserting and fastening the KIT insect screen

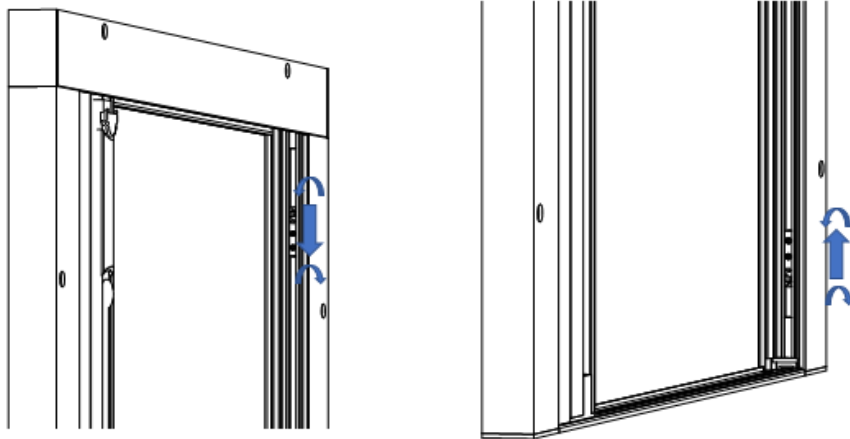
Insert the assembly with the KIT screen to the upper profile and lower rail. Move the assembly towards the side guide profile. Push the assembly to the side profile until it fits in place (all the way). Always start pushing from below.

Pay attention to the orientation of the disassembly hole!



5. Inserting the magnet guide profile

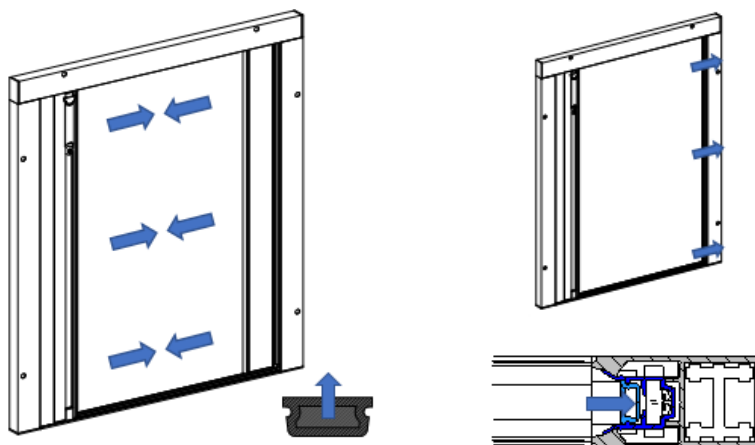
Insert the magnet guide profile with cords to the side guide profile. Push the magnet guide profile to the side guide profile until it fits in place. Always start pushing from below.



6. Adjusting the tension cords

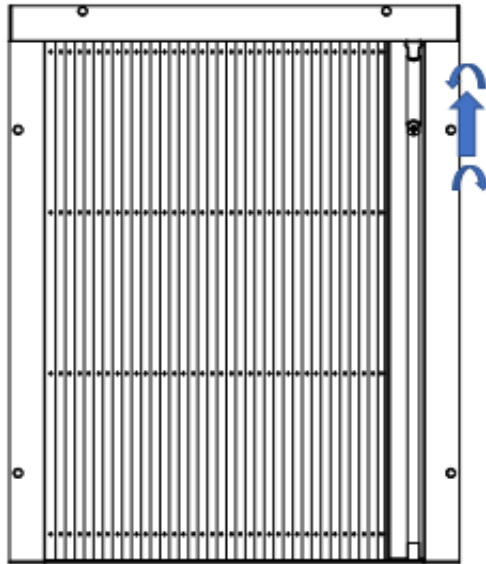
6a Adjust the cord tension by shifting the upper adjusting element. Check the tension of the screen cords, shut and open the screen several times, and if necessary, make fine adjustments to the cord tension by shifting the upper or lower adjusting element.

6b Adjust the cord tension by shifting the lower adjusting element. Check the tension of the screen cords, shut and open the screen several times, and if necessary, make fine adjustments to the cord tension by shifting the upper or lower adjusting element.



7. Inserting the magnet

Check the magnet polarity against the KIT polarity. Insert the magnet to the magnet guide profile, push until the magnet fits in place. Always start pushing from below.



8. Plastic component with spring

It is recommended to use this component in doors that are not right-angled. If the door is right-angled, it is not necessary to use the component. Insert the plastic profile with spring to the KIT guide rail. Slightly push the plastic component towards the upper profile and tighten the screws. The component must be flexible.

Pleated insect screen PS2, PS2 V

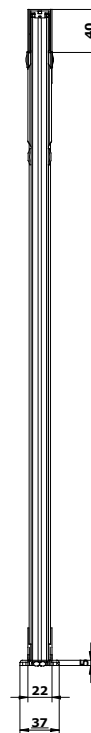
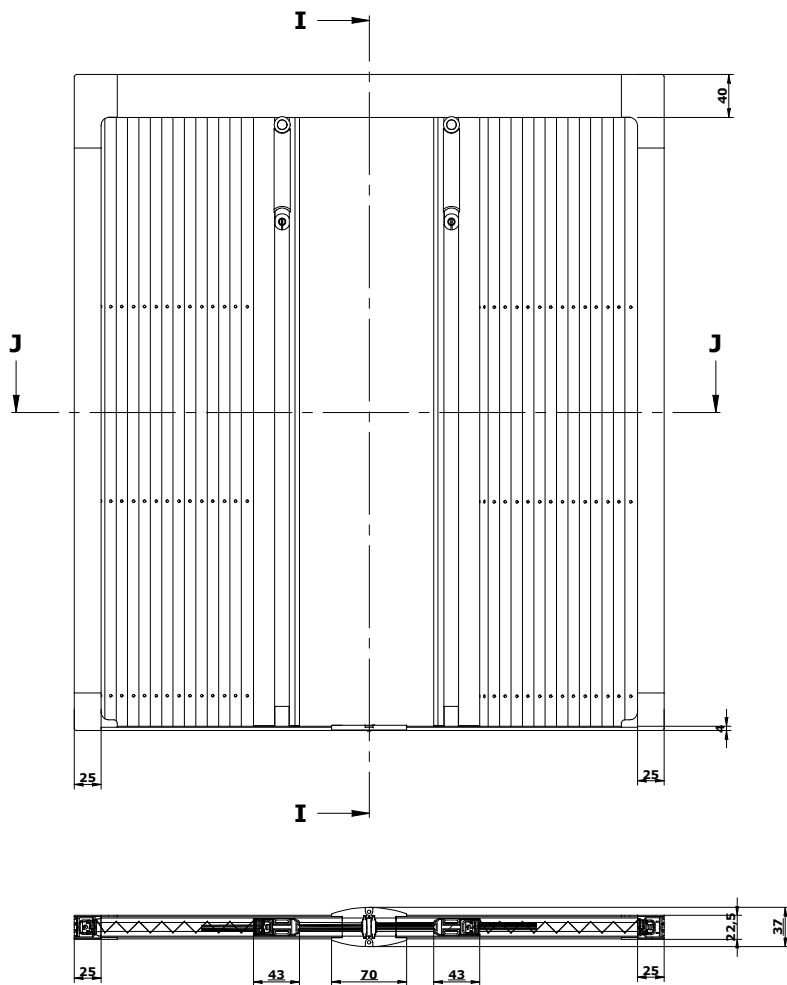


- ▲ Double-sided vertical
- ▲ 4 mm lower profile
- ▲ Huge dimensions
- ▲ Assembly into reveal and on the frame
- ▲ Modern design

ISOTRA *Quality*

Pleated Insect Screen PS2, PS2 V

Basic Product Specification



SECTION I-I

SECTION J-J

2-01293-00VS (PS2)
2-01295-20VS (PS2V)

Limit dimensions

	Min. width (mm)	Max. width (mm)	Min. height (mm)	Max. height (mm)
PS2	1300	5000	1750	2750
PS2 V*	1300	5000	2800	3400

*nonstandard delivery

Standard colours PS2

Mesh	Frame	Plastic parts
Grey Black	RAL 9010 White RAL 1013 Ivory RAL 8017 Brown RAL 7016 Anthracite RAL 6005 Green mat	White Black Brown Ivory

Note: other RAL and DECORAL colours for extra charge

Standard colours PS2 V

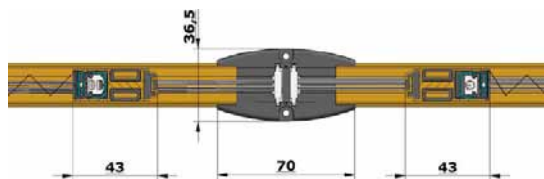
Mesh	Frame	Plastic parts
Grey Black	RAL 9010 White RAL 1013 Ivory RAL 8017 Brown RAL 7016 Anthracite RAL 6005 Green mat	White Black Brown Ivory

Note: colour RAL 7035 for extra charge

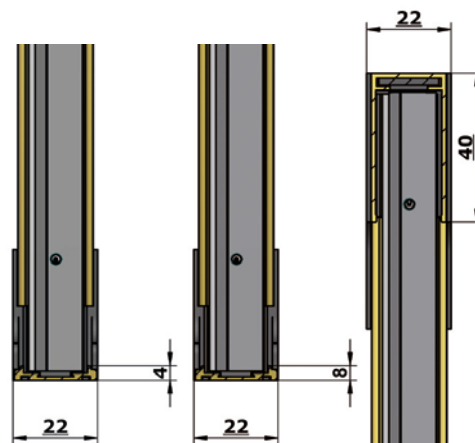
Pleated insect screen PS2, PS2 V

Profiles

Horizontal section

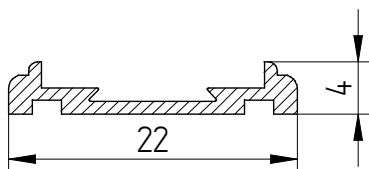


Vertical section

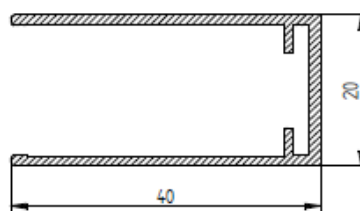


Profiles into reveal

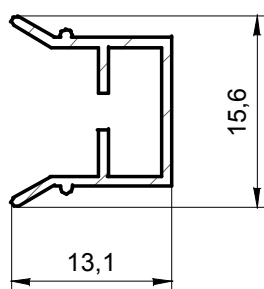
Lower profile 4mm NA, DO (7-303169-5000)



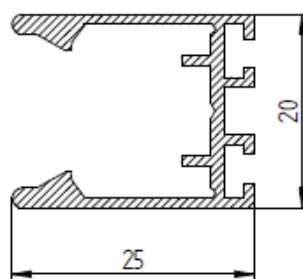
Profile AL-upper channel 40 mm DO (7-303172-5000)



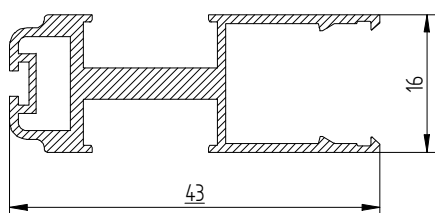
Magnet channel NA, DO (7-303173-5000)



Profile AL-side start channel 25 mm DO (7-303170-5000)

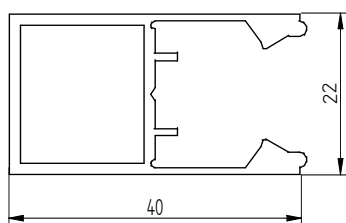


Movable channel NA, DO (7-303171-5000)

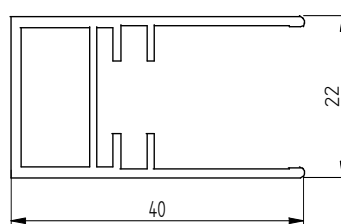


Profiles on the frame

Profile AL-side channel 40 mm NA (7-303168-5000)



Profile AL-upper channel 40 mm SCP GT (7-303167-5000)



Pleated insect screens PS2, PS2 V

Assembly into reveal

1. Profile installation

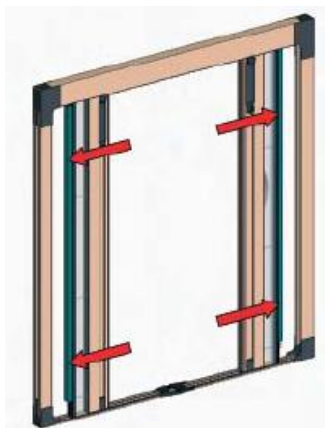
Place the plastic components on the upper and lower profile (see the details on below picture). Remove the protection of the double sticker and fix the upper and lower profile in the installation place. Correct any differences in length by sliding the angles pieces along. If you want to screw the lower profile the screws must have a countersunk head! Lower profile is combined from two parts connected with central plastic component.

Insert side guiding profile start to the plastic corner pieces. First, in the upper profile and consequently to the lower profile. Fix it using the enclosed screws.



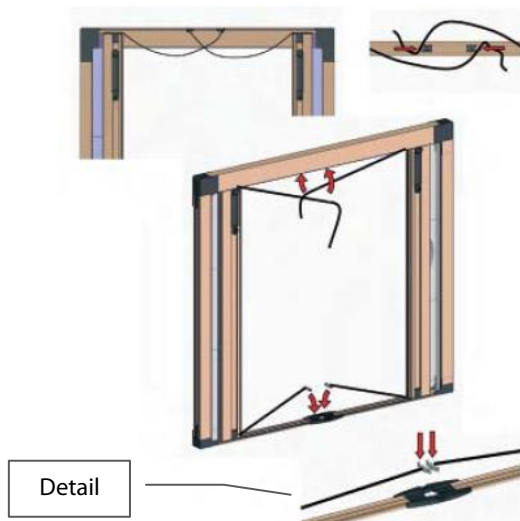
2. Insertion and fastening of insect screen KIT

Insert both net packets KIT into upper and lower profiles. Move both packets with net towards the side guiding start profile. Insert both screen packets with net in the side profile until it locks in place (to the stop). Always start the inserting from the bottom.



3. Inserting the cord stops

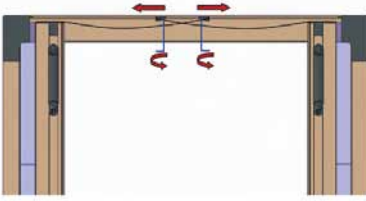
At the bottom, insert the cord stops into their locations on the central plastic part (see detail). The lower cords are set in approximate lengths from production. In case of need it is necessary to tie up the knot. At the top, insert the knot on the cords into the respective location on each cursor (black plastic part). The cords from the right are inserted into the cursor on the left, and the cords from the left are inserted into the cursor on the right.



4. Cord adjustment

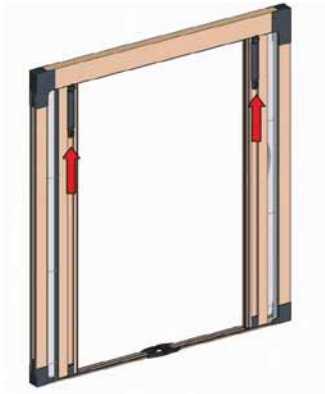
Using the key supplied, unscrew the screw on the cursors.

Tighten the cords by sliding each cursor, and then tighten the screws. Cut excess cord length after having completed adjustment.

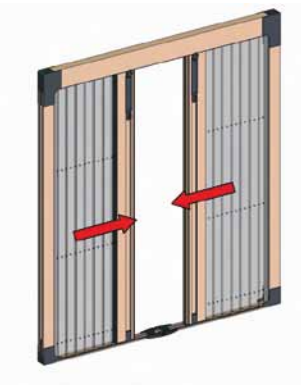


5. Plastic parts with spring

Insert plastic profile with spring of guides in the top profile KIT. Gently push the plastic part to the upper profile and tighten the screws. Plastic profile needs to elongate.



6. Sliding test

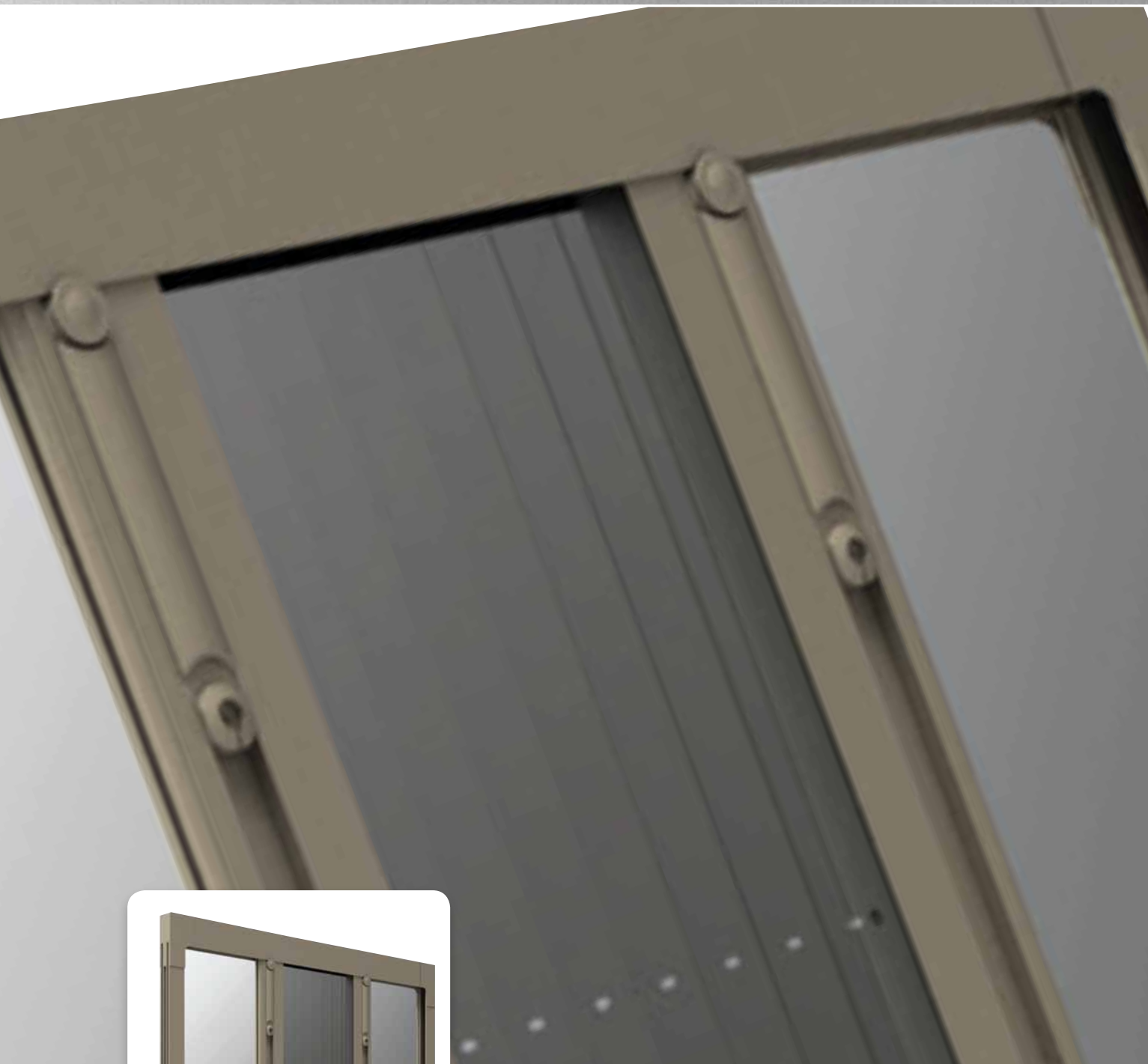


7. Complete the screen

Insert the cap supplied to hide the knot.



Pleated insect screen PS3 V

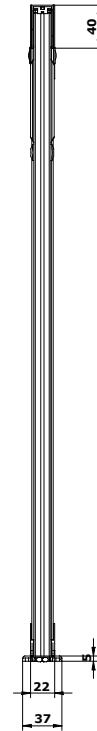
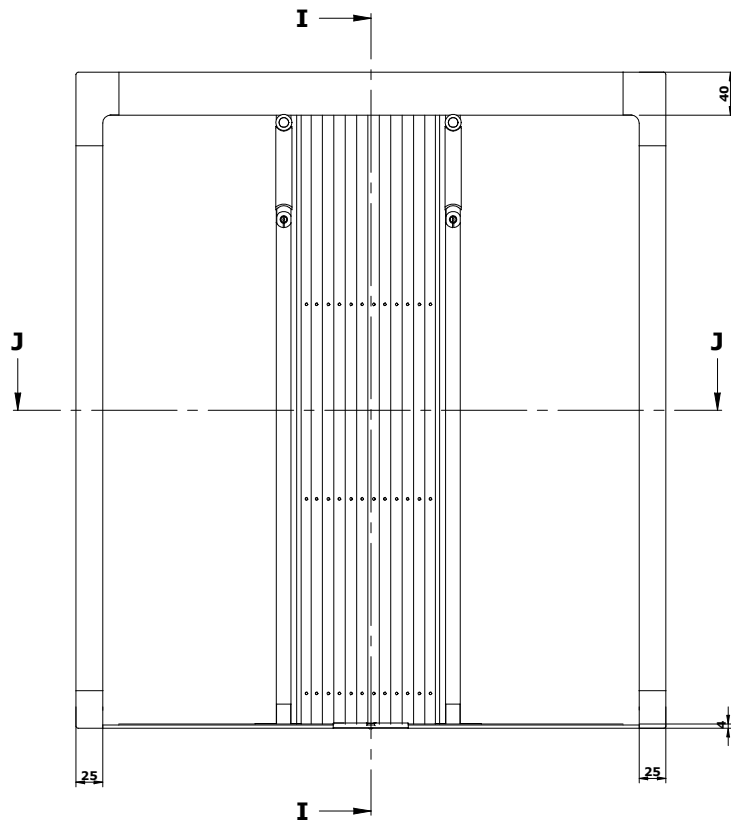


- ▲ Centrally vertical
- ▲ 4 mm lower profile
- ▲ Easy and quick assembly
- ▲ Assembly into reveal and on the frame
- ▲ Modern design

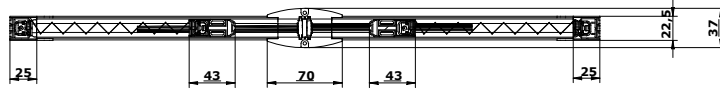
ISOTRA *Quality*

Pleated Insect Screen PS3 V

Basic Product Specification



SECTION I-I



SECTION J-J

2-01295-30V0

Limit dimensions

	Min. width (mm)	Max. width (mm)	Min. height (mm)	Max. height (mm)
PS3 V*	700	2500	1750	3400

*nonstandard delivery

Standard colours PS3 V

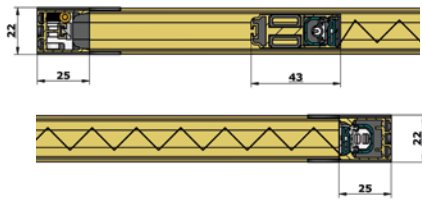
Mesh	Frame	Plastic parts
Grey Black	RAL 9010 white RAL 1013 ivory RAL 8017 brown RAL 7016 anthracite RAL 6005 green mat	White Black Brown Ivory

Note: colour RAL 7035 for extra charge

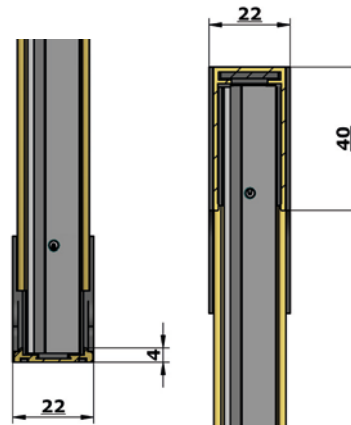
Pleated Insect Screen PS3 V

Profiles

Horizontal section

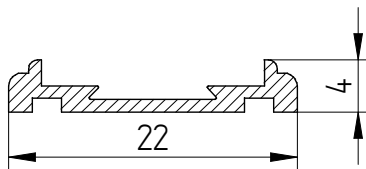


Vertical section

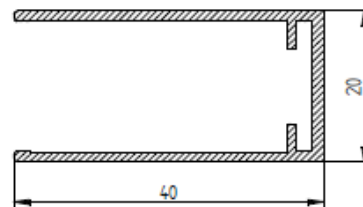


Profiles into reveal

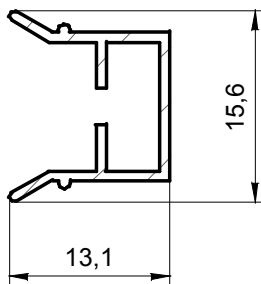
Lower profile 4mm NA, DO (7-303169-5000)



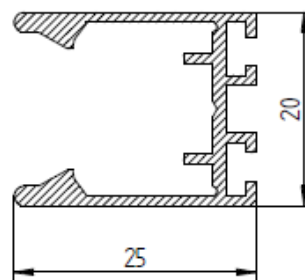
Profile AL-upper channel 40 mm DO (7-303172-5000)



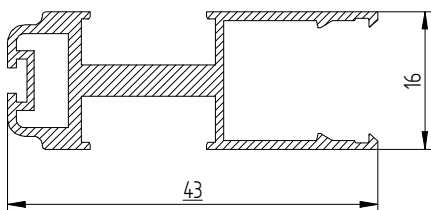
Magnet channel NA, DO (7-303173-5000)



Profile AL-side start channel 25 mm DO (7-303170-5000)

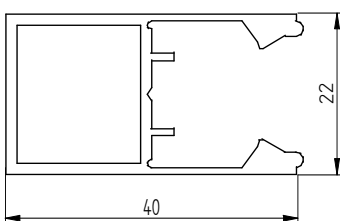


Movable channel NA, DO (7-303171-5000)

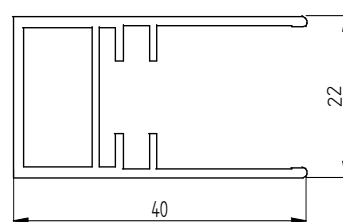


Profiles on the frame

Profile AL-side channel 40 mm NA (7-303168-5000)



Profile AL-upper channel 40 mm NA (7-303167-5000)



Pleated Insect Screen PS3 V

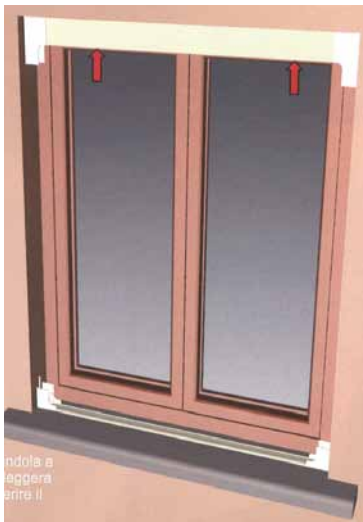
Assembly into reveal

1. Profile installation

Remove the protection of the double sticker and fix the upper and lower profile in the installation place.

Correct any differences in length by sliding the angles pieces along.

Insert side guiding profile start on the right and drill holes for fixing profiles, consequently the same for left profile. Take out the profiles.



2. Insertion and fastening of insect screen KIT

Insert net packet inside the profiles. Move the net packet and place it in the middle.



3. Tuner insertion

Insert the tuner in the appropriate plastic corner pieces to all four corners, taking care to ensure that the heads of the tuner screws are always in sight and that the cords remain parallel (not crossed). Cords must come from the tuner on the opposite side to the head of the screw.



4. Installation of guiding profile

Insert the side guiding profile on the right side in the plastic corner parts.

First, in the upper profile and consequently to the bottom profile. Perform the same procedure as for the left side.

Fix the profiles in the created holes using the supplied screws.



5. Setting of cords

If necessary with the screwdriver provided activate the adjusting screw in the tuner, by turning it either to the left or right to set the tautness of the cords until a smooth flowing movement is obtained and the handle bar KIT is perfectly vertical.



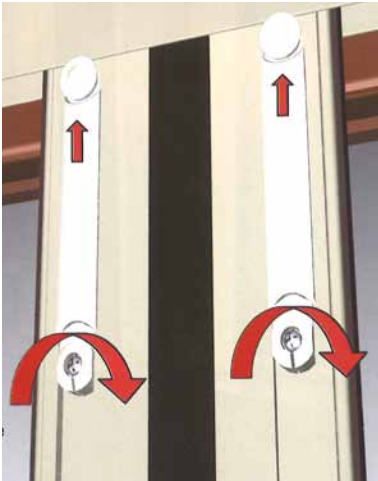
6. Insert the magnet channel

Check the polarity of the magnet channel and insert the magnet profile on the side profile.



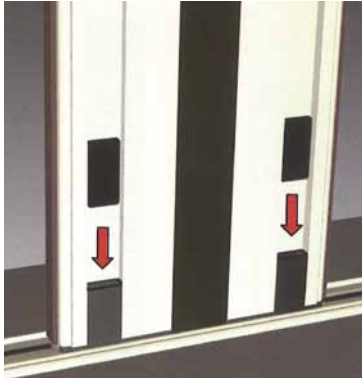
7. Plastic parts with spring

Insert plastic profile with spring of guides in the top profile KIT. Gently push the plastic part to the upper profile and tighten the screws. Plastic profile needs to elongate.



8. Guard insert Insert the guard to the bottom frame KIT.

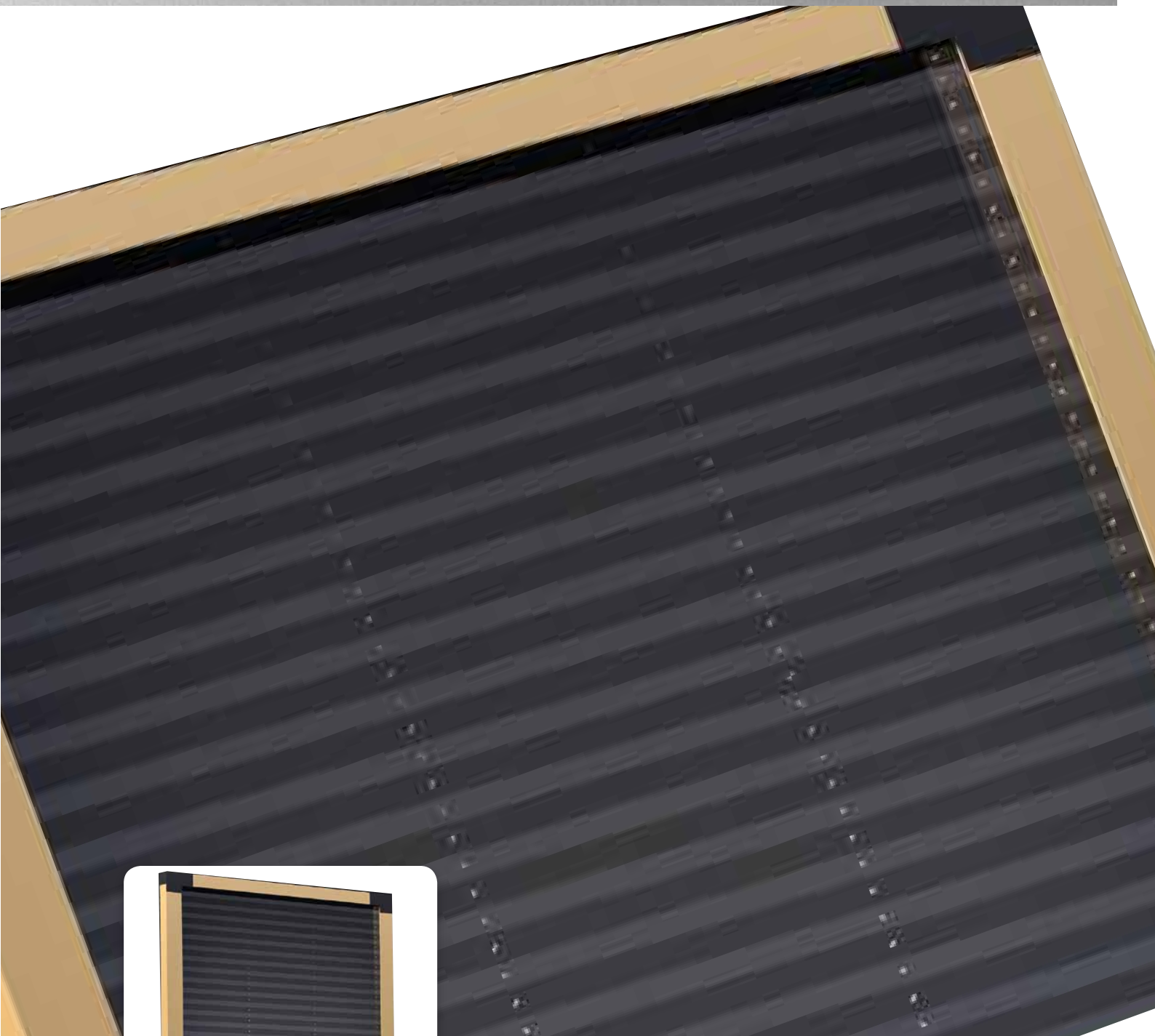
For better guidance KIT in bottom profile.



9. Sliding test



Pleated insect screen PS4 V

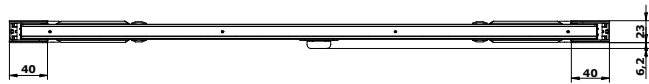
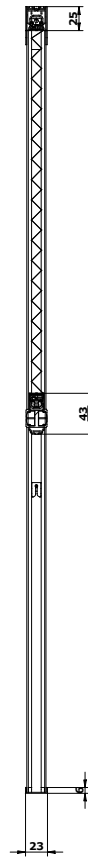
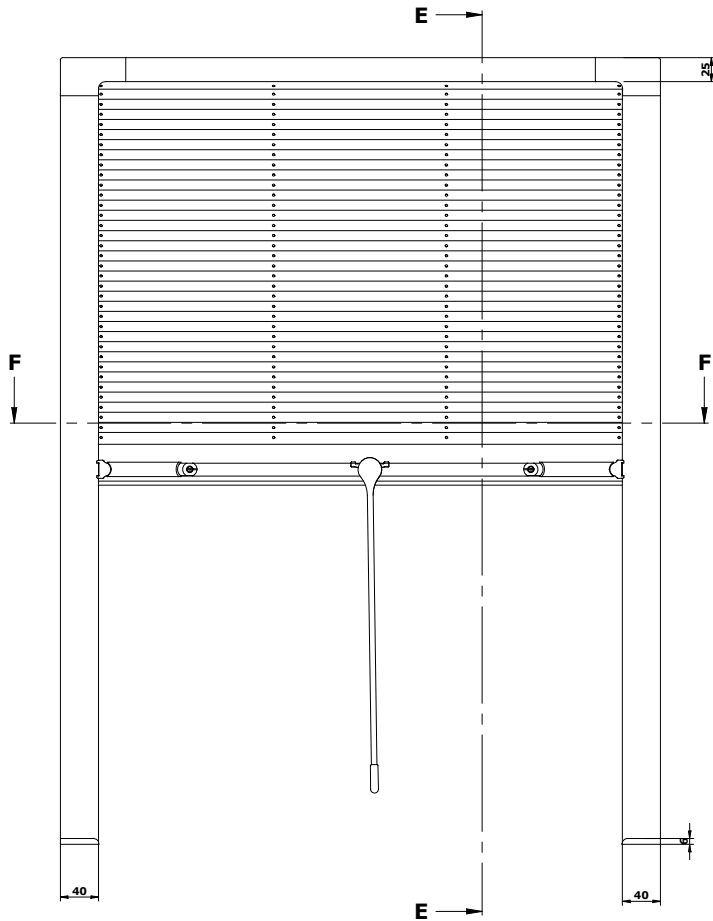


- ▲ Horizontal
- ▲ Delivered with movement rod
- ▲ Assembly into reveal and on the frame
- ▲ Modern design

ISOTRA *Quality*

Pleated Insect Screen PS4 V

Basic Product Specification



SELECTION F-F

SELECTION E-E

2-01295-400H

Limit dimensions

	Min. width (mm)	Max. width (mm)	Min. height (mm)	Max. height (mm)
PS4 V*	850	2050	800	2500

*nonstandard delivery

Standard colours PS4 V

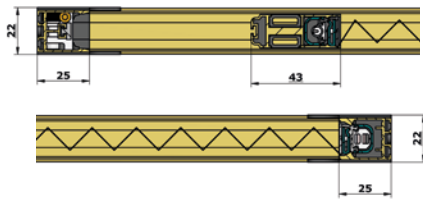
Mesh	Frame	Plastic parts
Grey Black	RAL 9010 white RAL 1013 ivory RAL 8017 brown RAL 7016 anthracite RAL 6005 green mat	White Black Brown Ivory

Note: colour RAL 7035 for extra charge

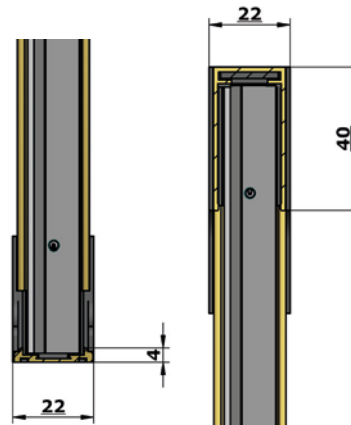
Plated Insect Screen PS4 V

Profiles

Horizontal section

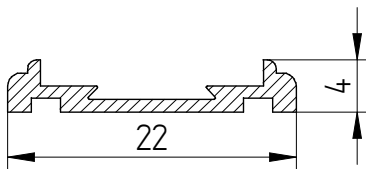


Vertical section

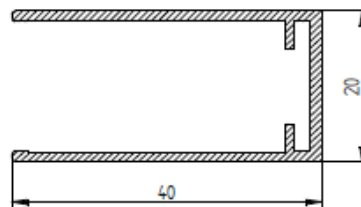


Profiles into reveal

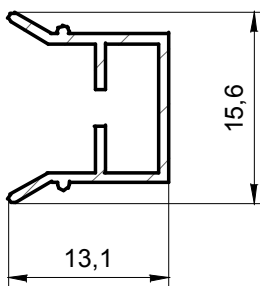
Lower profile 4mm NA, DO (7-303169-5000)



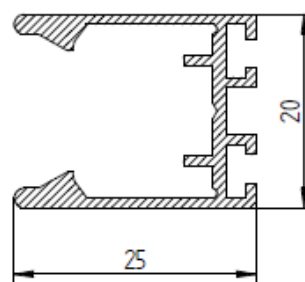
Profile AL-upper channel 40 mm DO (7-303172-5000)



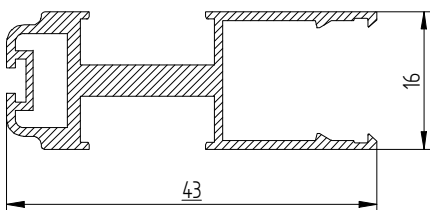
Magnet channel NA, DO (6-013463-0000)



Profile AL-side start channel 25 mm DO (7-303170-5000)

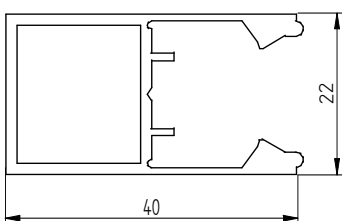


Movable channel NA, DO (7-303171-5000)

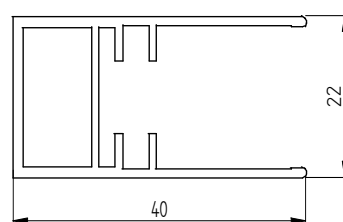


Profiles on the frame

Profile AL-side channel 40 mm NA (7-303168-5000)



Profile AL-upper channel 40 mm NA (7-303167-5000)

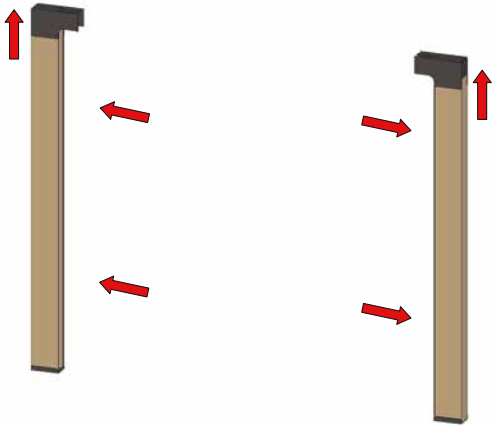


Pleated insect screens PS4 V

Assembly into reveal

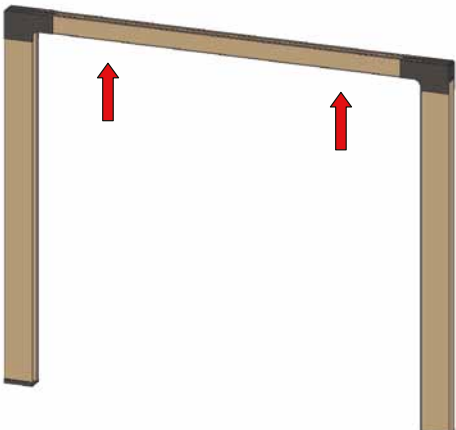
1. Installing the frames

Remove the backing paper from the double-sided adhesive tape and fix the side guiding profiles. Correct any out-of-square defects by sliding the plastic corner pieces.



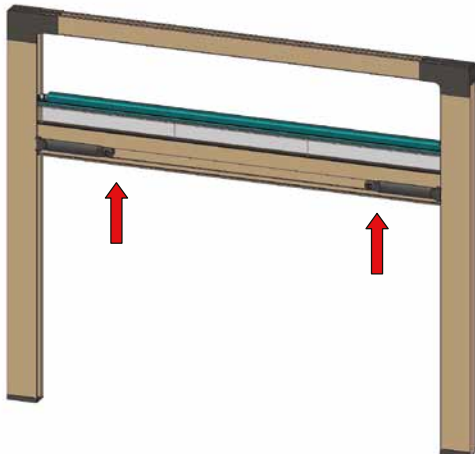
2. Mounting the upper profile start

Insert the upper profile start to the appropriate plastic corner parts. Drill holes for attachment of the upper profile (these holes should correspond with the holes in the profile). Fix it using the screws provided.



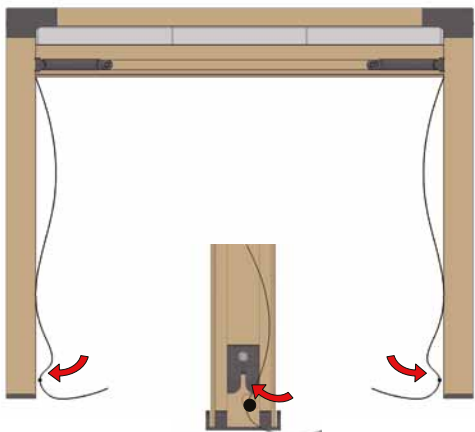
3. Insertion and fastening of insect screen KIT

Insert net packet KIT inside the profiles. Move net packet towards the side guiding start profile. Insert screen packet in the upper profile until it locks in place (to the stop).



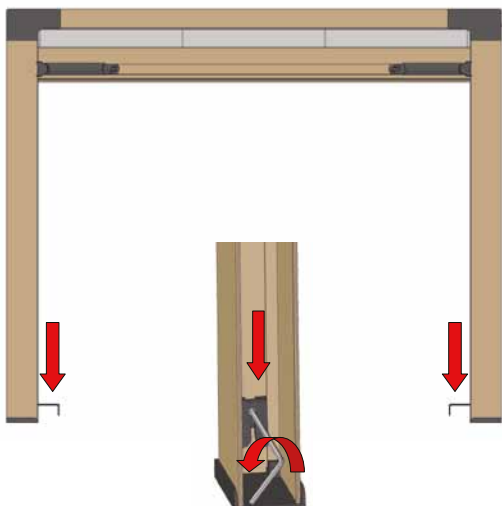
4. Inserting the cord stops

Insert the knot on the cords into the respective location on each cursor (black plastic part).



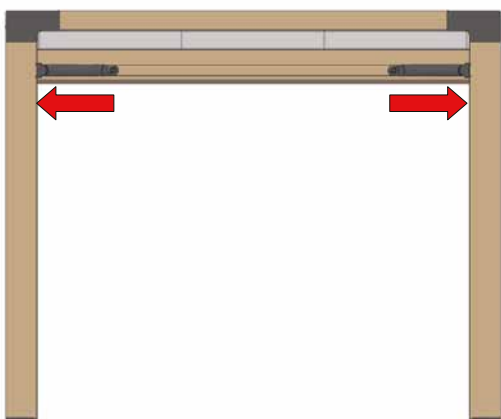
5. Cord adjustment

Using the key supplied, unscrew the screw on the cursors. Tighten the cords by sliding each cursor, and then tighten the screws. Cut excess cord length after having completed adjustment



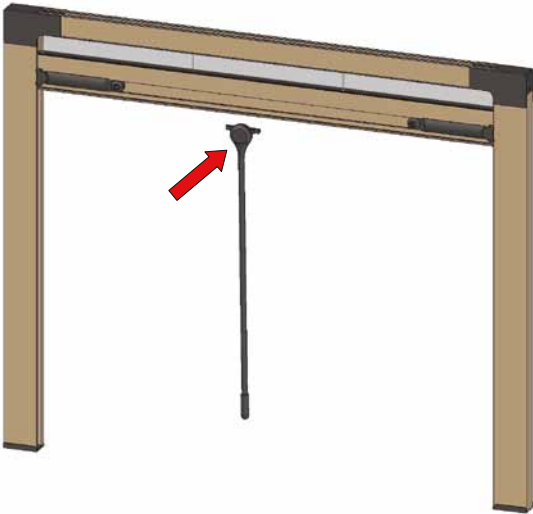
6. Plastic parts with spring

Insert plastic profile with spring of guides in the top profile KIT. Gently push the plastic part to the upper profile and tighten the screws. Plastic profile needs to elongate.

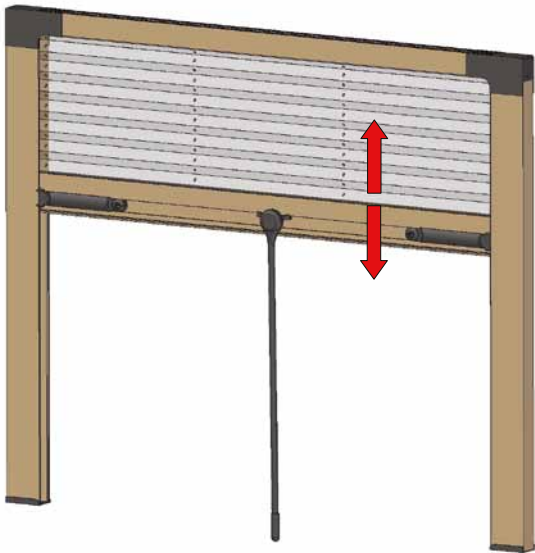


7. Inserting the rod

Insert the supplied rod until it snaps into place in the support profile.

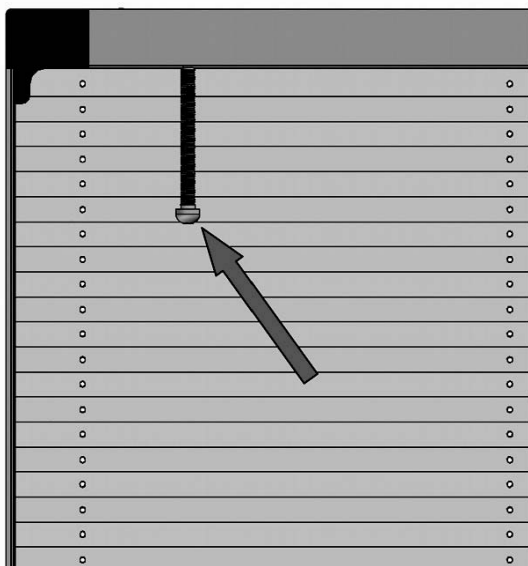


8. Testing the insect screen



9. Disassembling (for cleaning)

Use the screw until the escaping of the screen pack.



Pleated insect screen PS1, PS1 V, PS2, PS2 V, PS3 V, PS4 V

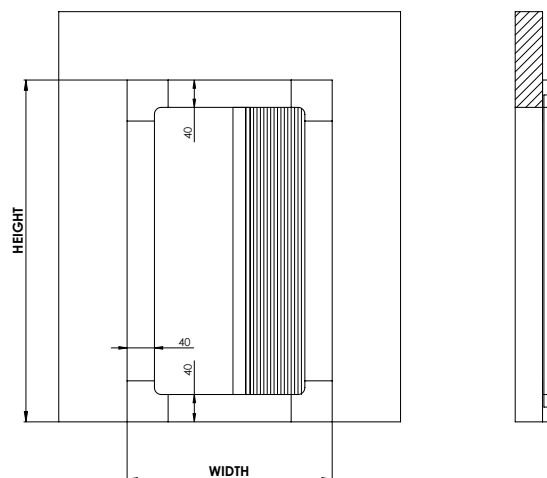
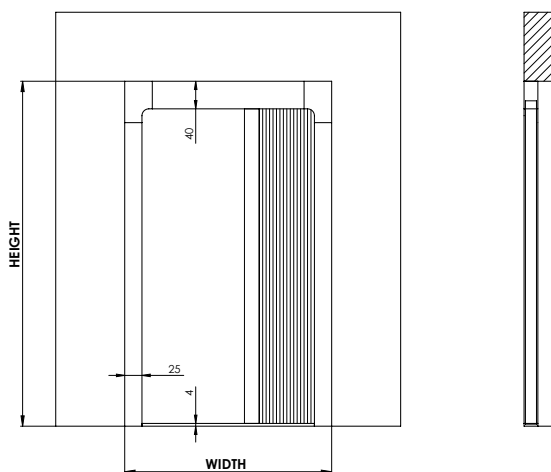
Measurement

Measurement into reveal

The width and the height of the hole clearance for inserting the screen are measured. Measurements are taken at three points, the lowest value is used.

Measurement on the frame

Outside dimensions of insect screen are measured.



Pleated insect screen PS4 V

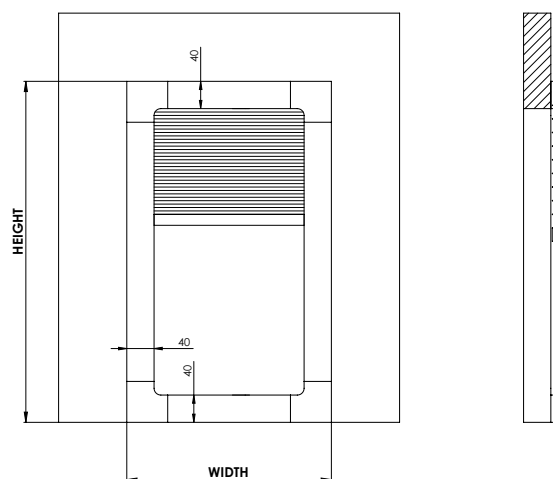
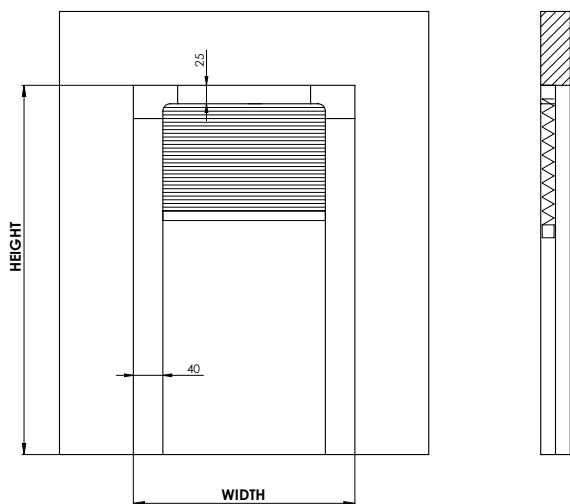
Measurement

Measurement into reveal

The width and the height of the hole clearance for inserting the screen are measured. Measurements are taken at three points, the lowest value is used.

Measurement on the frame

Outside dimensions of insect screen are measured.



Wound up of pleated insect screens (in the closed position):

Width of pleated insect screen	Rozměr nábalu*	
	Assembly into reveal	Assembly on the frame
do 700 mm	78 mm	79 mm
do 1000 mm	88 mm	89 mm
do 1300 mm	98 mm	99 mm
do 1800 mm	108 mm	109 mm
do 2800 mm	118 mm	119 mm

*Size of pleated insect screen wound up includes the total width: start profile + insect screen + handling profile

Pleated insect screen PS1, PS1 V, PS2, PS2 V, PS3 V, PS4 V

Assembly on the frame

1. Insert the bottom corner accessory on left „starting profile“.



2. Insert the top corner accessory on left „starting profile“.



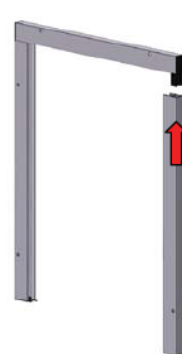
3. Insert the upper track into the left top corner accessory.



4. Insert the top right corner component into upper profile.



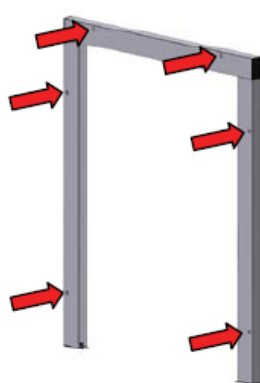
5. Insert the right guiding profile into the plastic corner component.



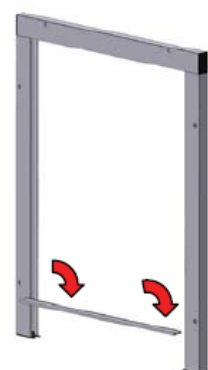
6. Insert the bottom corner component into the side profile.



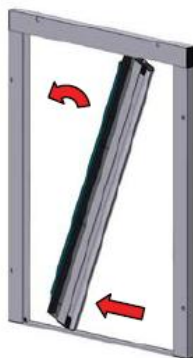
7. Fix the frame on the mounting spot according to pre-drilled holes.



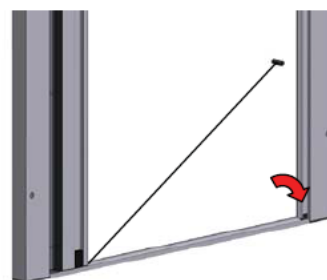
8. Position the lower profile on the right place of plastic corner components, fix it to the ground or supplied supportive Al profile.



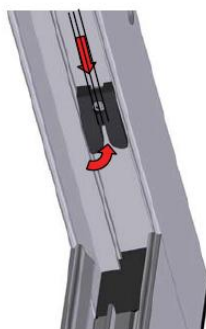
9. Insert and fix the screen KIT.



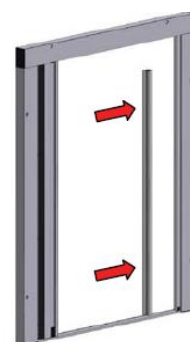
10. Insert the plastic part at the end of cords into a hole in back part of lower profile.



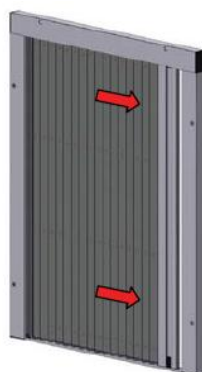
11. Insert wire node into the plastic block in upper profile and adjust the tension. The proper position of a block is approx. 1 cm from the side profile. If different then tie up the node.



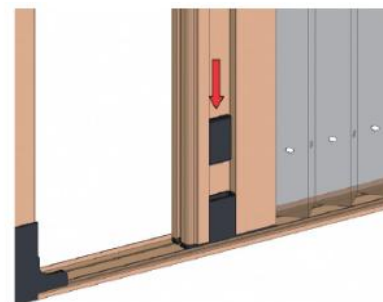
12. Test the polarity of the „magnet profile“ then fix it to the „arrival profile“.



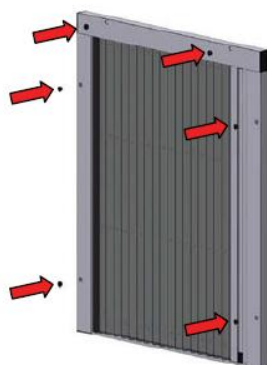
13. Open the screen mesh and check smooth movement.



14. Insert the safety pin into the lower part of the frame KIT. For better sliding.



15. Insert the caps to cover the holes.





ISOTRA a.s.

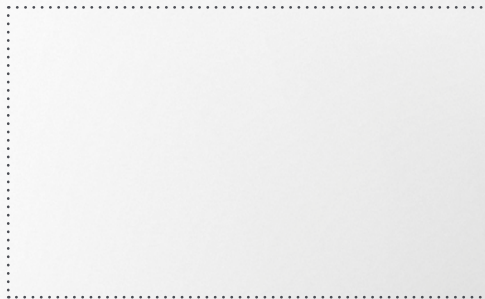
Bílovecká 2411/1, 746 01 Opava
Czech Republic

Tel.: **+420 553 685 111**
E-mail: isotra@isotra.com

www.isotra.com

Released: 09/2024

ISOTRA Partner



... protecting your privacy.