

SCREEN HR8-ZIP INTERIOR BO

1. LIST OF REQUIRED TOOLS

- Ladder
- Drill
- Crosshead screwdrivers
- Set of metal drill bits
- Masonry drill bits (6 mm and 8 mm)
- Set of Allen keys
- Pop rivet tool
- Tape measure and pencil
- Spirit level, plumb line and hose level
- Voltmeter or test lamp 220 V
- Test cable with switch
- Silicon caulk or joint sealing strip

2. ASSEMBLY

2.1. CHECK THE PROVIDED PARTS

Check the provided parts and open the bag containing the fittings. Divide the screws, washers and caps equally between the guide rails. You should have an equal amount of fastening material for each guide rail.

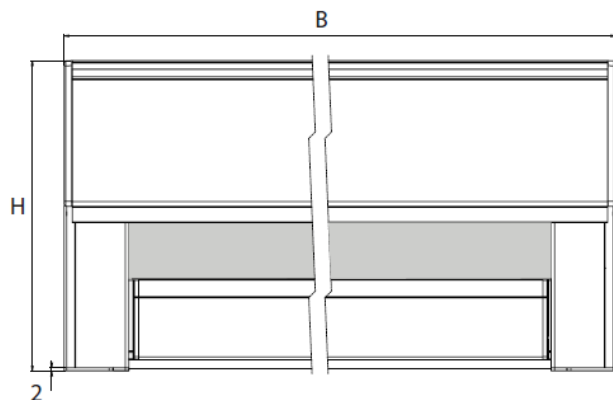
2.2. CHECK THE HEIGHT AND WIDTH

Measure the width of the screen box and the window opening, then determine whether the box is the right size for the installation situation.

Also check the height from the top of the box to the bottom of the guide rails, including the end stops.

Measure the inside height of the window frame. Check whether they match, taking the mounting bracket into account.

HR8-ZIP INTERIOR BO:



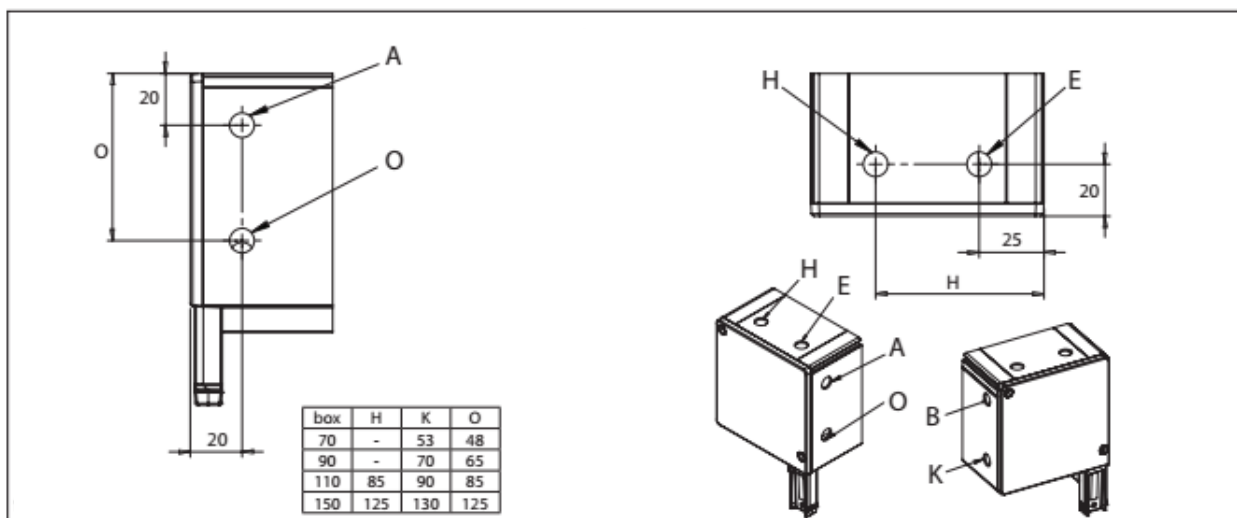
Final width B = the distance between the end brackets.

Final height H = the height including box and guide rail ends (thickness = 2 mm) except the mounting bracket.

Note: the final height H with steel cable from the top edge of the box to the lower side of the bottom rail.

Attention! Do not drill into the window gl

2.3. MOTOR EXITS



2.4. PRE-DRILLING THE GUIDE RAILS

Guide rail	Drilling on the side	Drilling in the back	Clip mounting*	Sealing strips**	Distance support***	End stop****
829						
820						
839						
830						

*** Clip mounting**

These guide rails have two small L-shaped notches on the back. These are either used for clipping the guide rails to the window frame, using the provided clips, or they are fitted with sealing strips.

The clips must be screwed on each side of the window frame in one straight and vertical line.

**** Sealing strips**

When the screen is mounted to a window frame on which the surfaces for the two guide rails are not flush, the resulting gaps between the guide rails and the window frame can be sealed with sealing profiles.

These sealing profiles must always be secured by a screw at the top and the bottom of the guide rail. Be careful when tightening the fasteners, because overtightening can permanently damage the sealing profiles.

In the interest of safety, it is important that each guide rail be additionally secured to the window frame at the top, middle and bottom with a sheet metal screw to prevent the guide rail from sliding and the clips from detaching from the screen.

***** Distance supports**

For guide rails with a mounting flange (type 828), distance supports can be used for mounting the guide rails.

****** Cover cap**

For each of the guide rails of the type referred to above, use a cover cap at the bottom end. This will prevent the bottom slat from dropping out of the guide rails.

U-shaped guide profile:

A plastic screen guide profile fits into the U-channel of each guide rail, which accommodates the zipper on the fabric.

(At the top end of this extrusion, the black rubber part is cut away at an angle over a length of 70 mm.

Make sure the guides are positioned with these cut-aways at the top. The screen guide profiles for the left and right sides differ.)

2.5. PIN MOUNTING

In this installation the box is mounted onto the guide rails by sliding the pivots on each of the side consoles into the corresponding hole chambers on the guide rails.

To make some of the following steps easier, it is recommended that you unroll the screen a bit so the bottom slat extends a few centimetres from the box. To do so, use a test cable to briefly operate the motor or operate the manual gearbox with a crank handle attached to a square rod inserted through the opening in the box.

Based on the installation situation, there are several ways the screen can be installed:

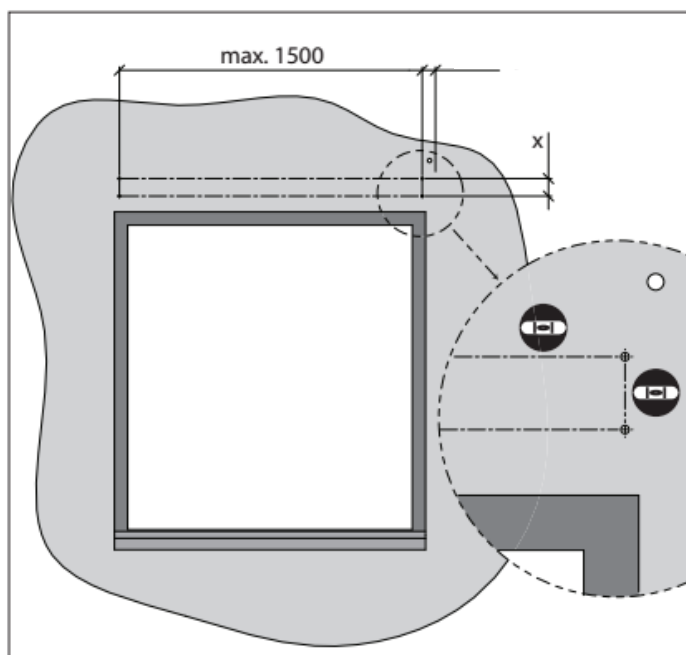
Method 1. Affix the box using the mounting brackets, then slide the guide rails onto the console pivot and secure the guide rails with screws.

Method 2. Place the complete box / guide rail assembly in or against the window opening and screw them in place.

Method 3. Screw the guide rails in place. Then push the box onto the guide rails and secure it in place.

2.5.1. METHOD 1 – AFFIX THE BOX USING THE MOUNTING BRACKETS, THEN SLIDE THE GUIDE RAILS ONTO THE CONSOLE PIVOT AND SECURE THE GUIDE RAILS WITH SCREWS

Step 1: Drilling holes for the mounting brackets



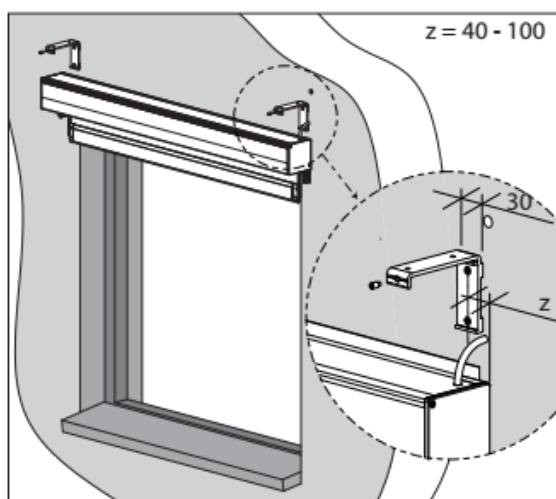
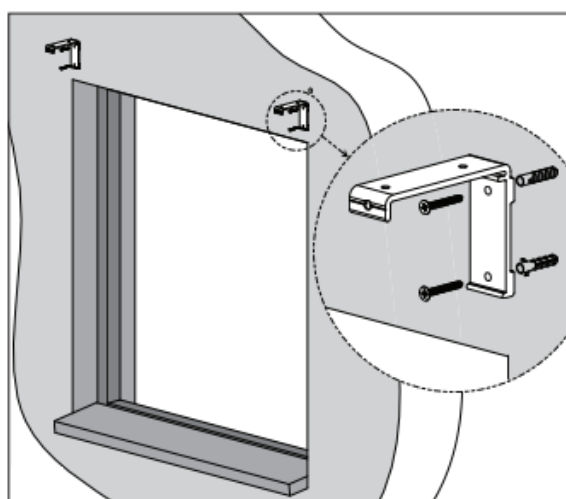
Box type	X
70	37
90	53
110	73
150	114



spirit level

Place the mounting brackets against the mounting surface. Use the upper holes for mounting against a ceiling and the rear holes for mounting against a wall.

The box must be perfectly level, so make sure the brackets are aligned properly. Use a hose level and a plumb line or another suitable tool for this task.



Step 2: Installing the box on the mounting brackets

One mounting bracket per console, as close as possible to the console.

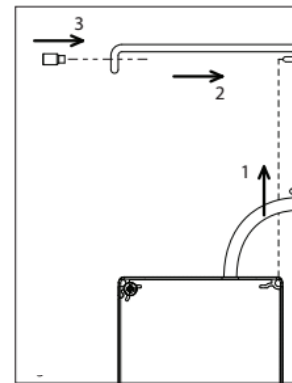
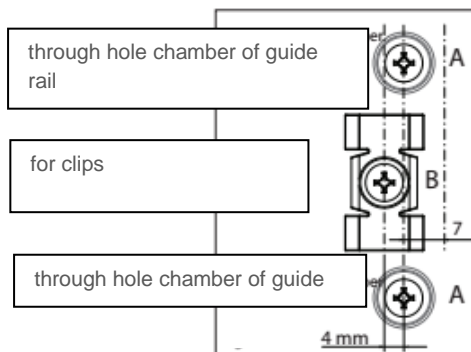
Any additional brackets are mounted in the middle of the box, evenly spaced across its width, and are intended to prevent wider boxes from sagging.

- (1) Push the box upwards into the mounting brackets.
- (2) Feed the motor cable through to the inside. Then push the box into the brackets so the slots in the back of the box engage with the L-profiles.
- (3) Next tighten the Allen screws of each bracket. The screws should grip in the slots at the top of the front of the box.

Step 3: Drilling the mounting holes for the guide rails

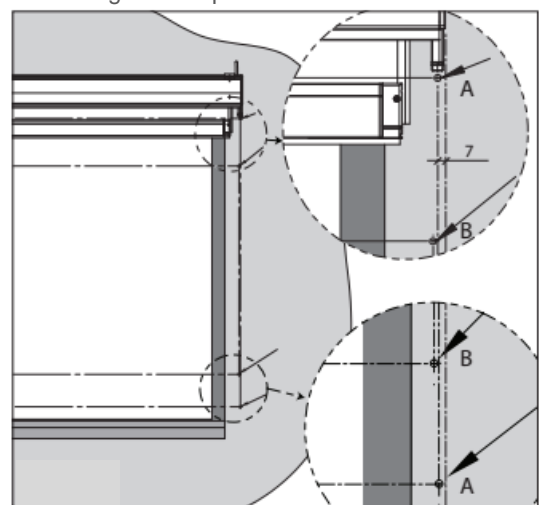
Mark the holes to be drilled on the wall or on the mounting surface. Use the pre-drilled lateral guide rails for this procedure. Drill the holes in the wall ($\varnothing 6$ mm) or in the window frame ($\varnothing 3.2$ mm).

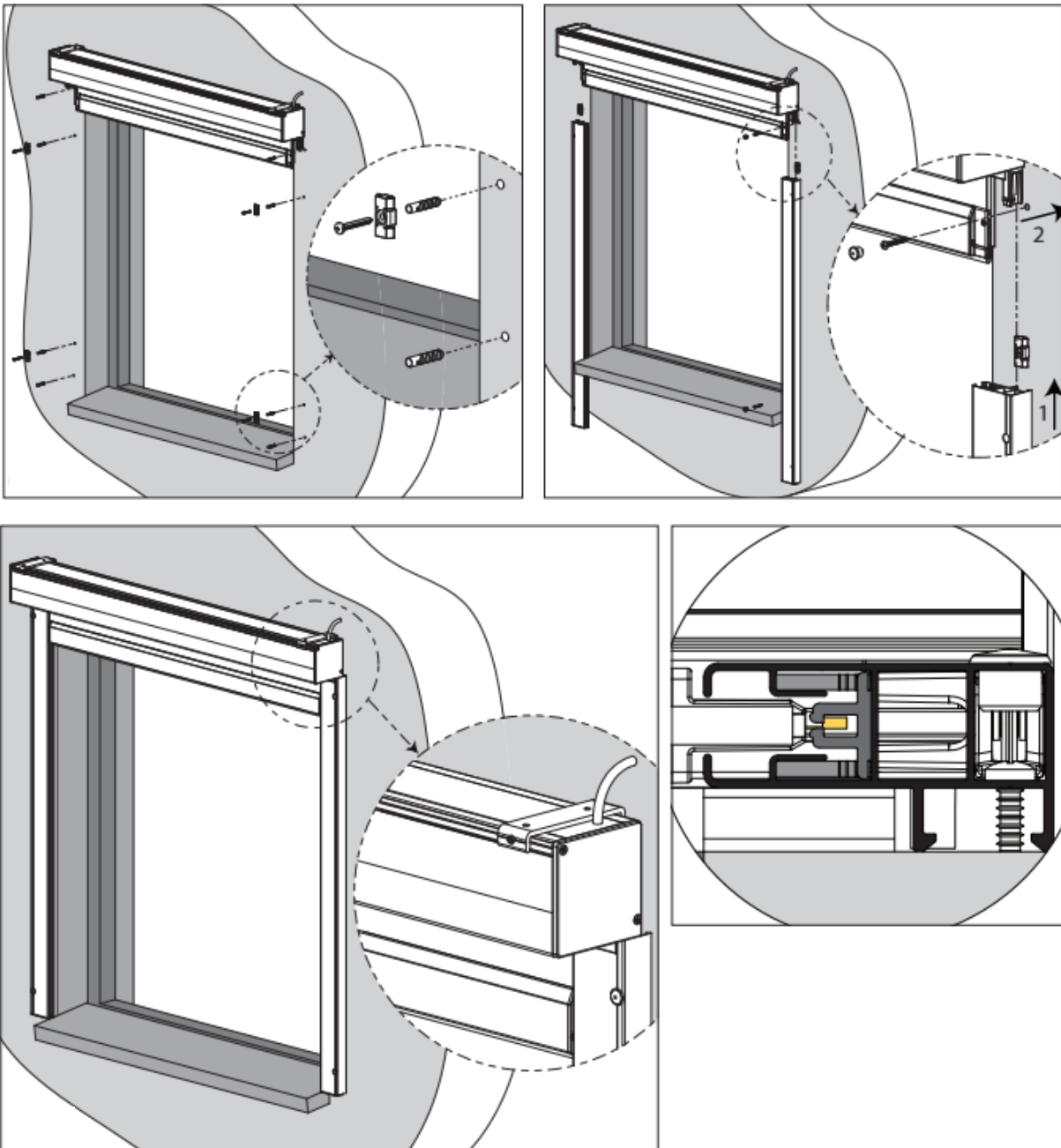
For installation to the wall, insert S6 plugs into the holes.



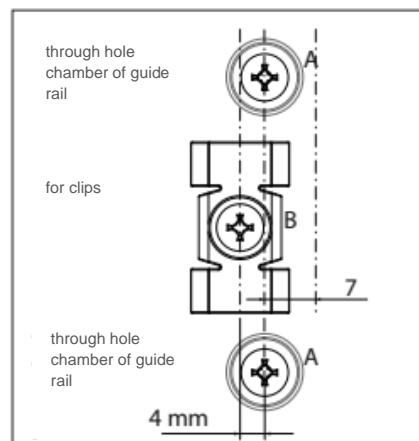
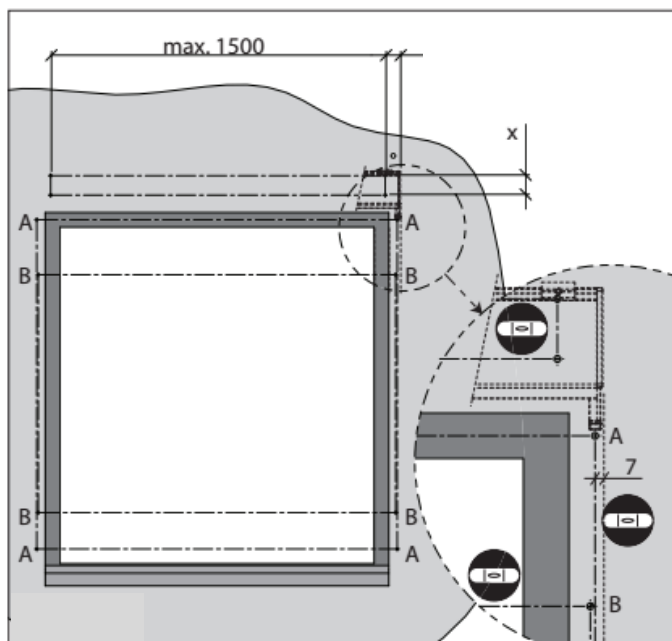
Step 4: Installing the guide rails

- (1) Affix the clips to the mounting surface. Next slide the guide rails onto the guide rail pivots of the side consoles. Make sure the sliding blocks of the bottom slat enter the guide rail slots correctly and the zipper on the fabric slides into the U-shaped part of the plastic guide profile.
- (2) Screw the guide rails to the mounting surface.

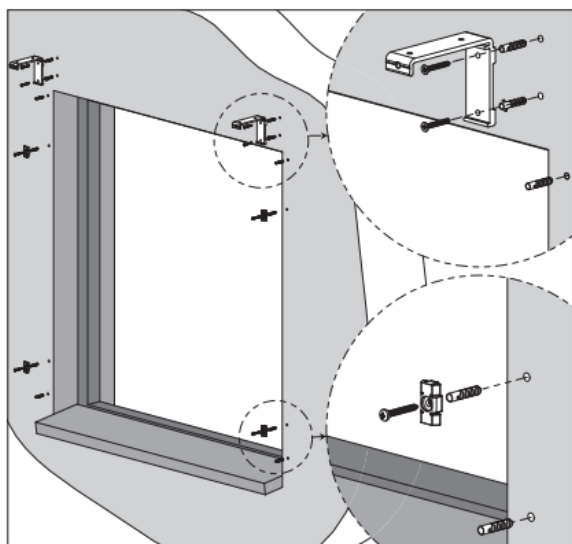




2.5.2. METHOD 2 – PLACE THE COMPLETE BOX / GUIDE RAIL ASSEMBLY IN OR AGAINST THE WINDOW OPENING AND SCREW THEM IN PLACE



Box type	X
70	37
90	53
110	73
150	114



Step 1: Drilling holes for the mounting brackets and guide rails

Mark the holes to be drilled on the wall or on the mounting surface (use the pre-drilled lateral guide rails for this purpose).

(If supplied, affix the box mounting bracket(s) first.)

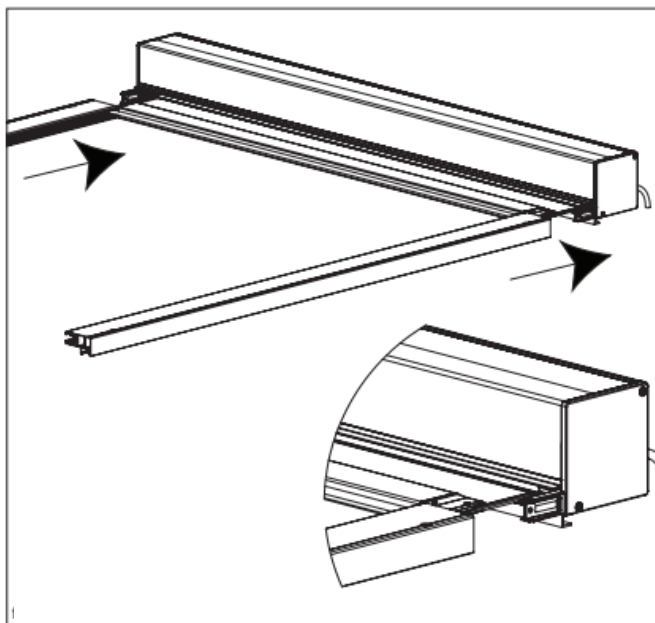
Drill the holes in the wall ($\varnothing 6$ mm) or in the window frame ($\varnothing 3.2$ mm).

For installation to the wall, insert S6 plugs into the holes.

Affix the clips to the mounting surface.



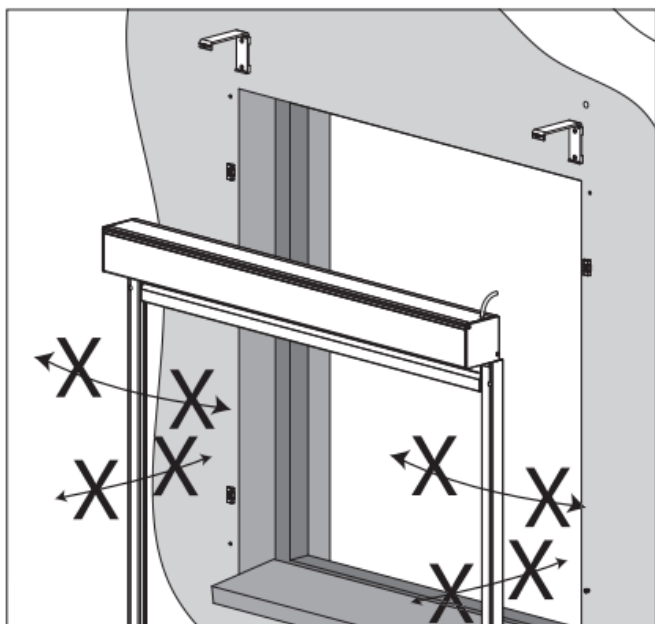
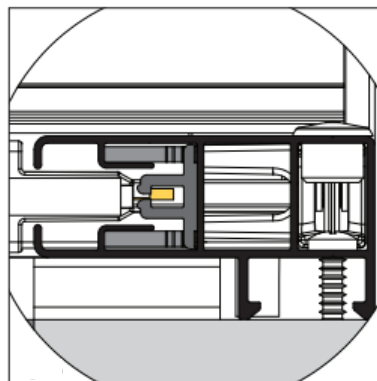
spirit level



Step 2: Sliding the guide rails over the console pivots on the bottom of the box

Place the screen box on the cardboard packaging (take care not to damage the paint finish).

Next slide the pre-drilled guide rails onto the console pivots on each of the side consoles.



Make sure the sliding blocks of the bottom slat enter the guide rail slots correctly and the zipper on the fabric slides into the U-shaped part of the plastic guide profile.

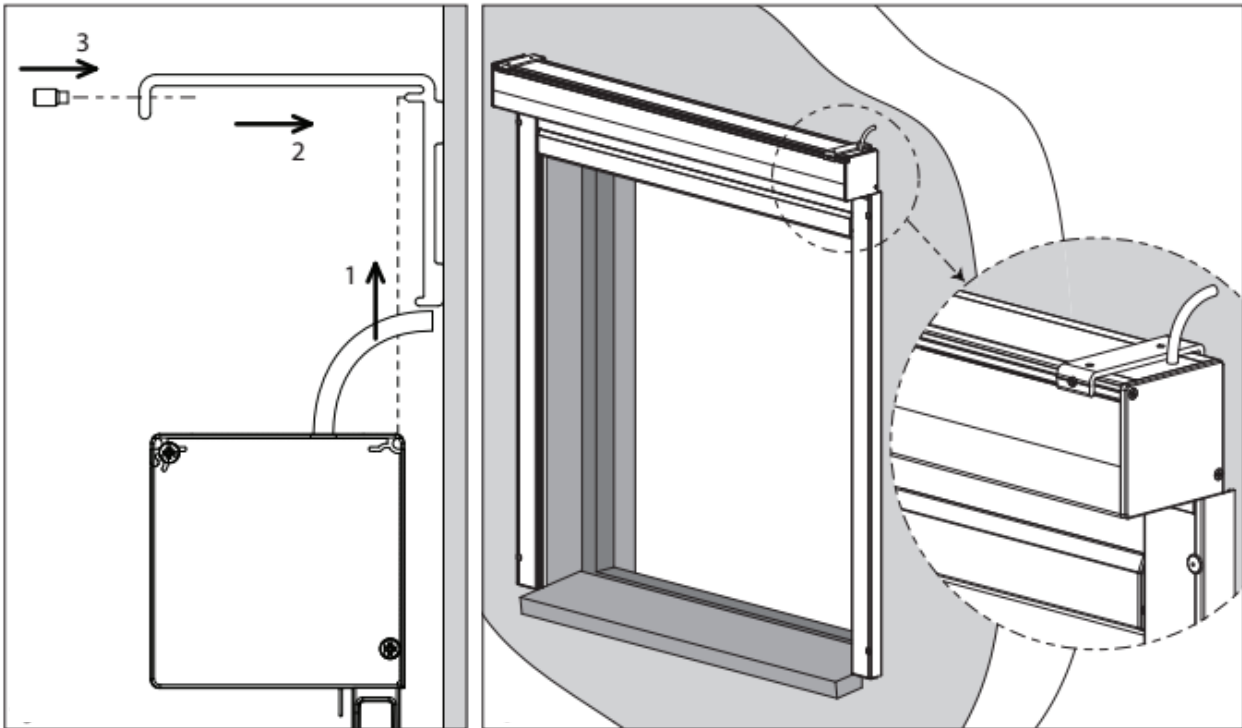
Step 3: Positioning the box and the guide rails

Now lift the screen box with the guide rails. Do this with at least two persons. Support the box and the guide rails at the same time.

Place the complete screen assembly in or against the window opening.

For motorised operation, feed the motor cable inside through the previously drilled lead-through.

Attention! Be careful not to break off the pivots of the box by moving the guide rails too much forwards, backwards or sideways.

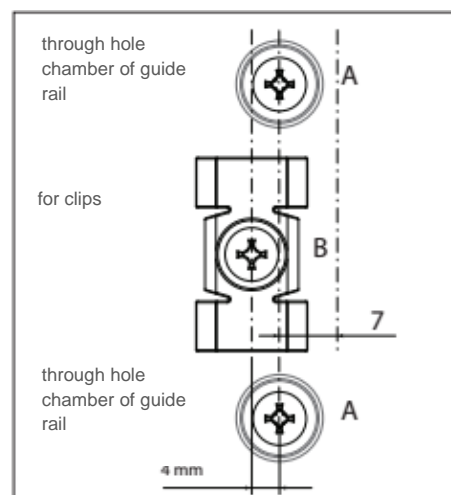
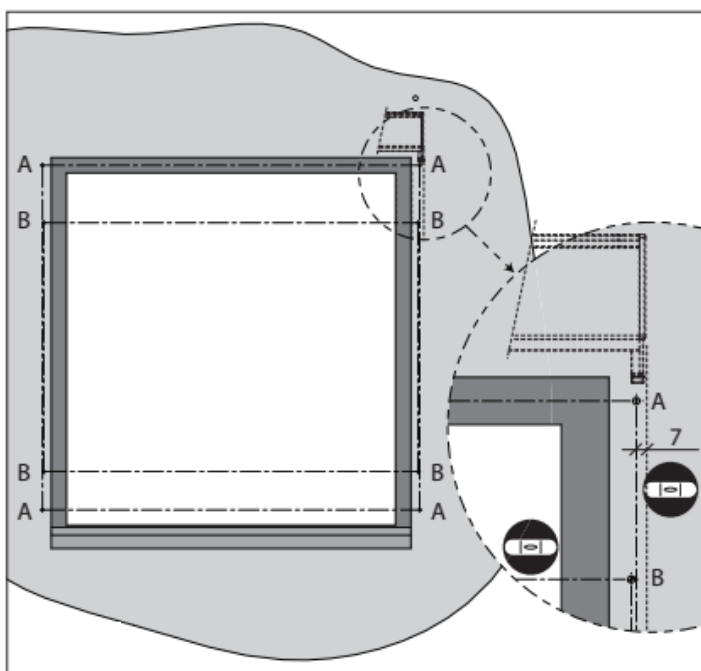
**Step 4: Attaching the box to the mounting brackets and screwing the guide rails in place**

- (1) Push the box upwards into the mounting brackets.
- (2) Feed the motor cable through to the inside. Then push the box into the brackets so the slots in the back of the box engage with the L-profiles.
- (3) Next tighten the Allen screws of each bracket. The screws should grip in the slots at the top of the front of the box.

Screw the guide rails to the mounting surface.

Make sure the box is always securely mounted. See section „Installation of controls“.

2.5.3. METHOD 3 – SCREWING THE GUIDE RAILS IN PLACE AND THEN PUSHING THE BOX ONTO THE GUIDE RAILS (ONLY FOR SCREENS WITHOUT MOUNTING BRACKETS)



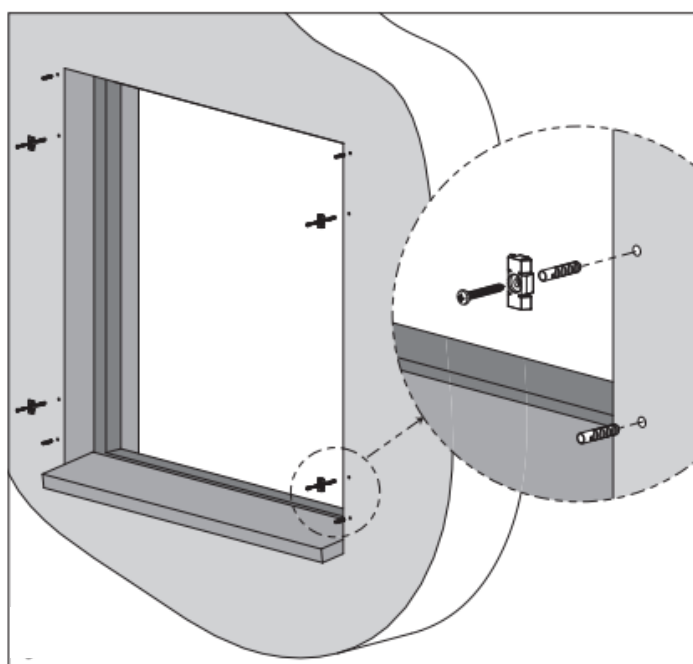
Step 1: Drilling mounting holes and affixing the clips

Mark the holes to be drilled on the wall or on the mounting surface (use the pre-drilled lateral guide rails for this purpose).

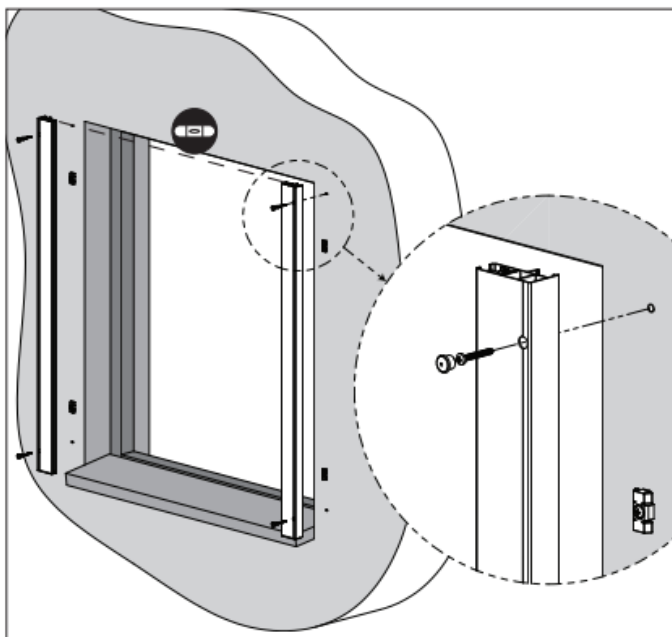
Drill the holes in the wall ($\varnothing 6$ mm) or in the window frame ($\varnothing 3.2$ mm), no more than 500 mm apart.

For installation to the wall, insert S6 plugs into the holes.

Affix the clips to the mounting surface.



spirit level



Step 2: Mounting the guide rails

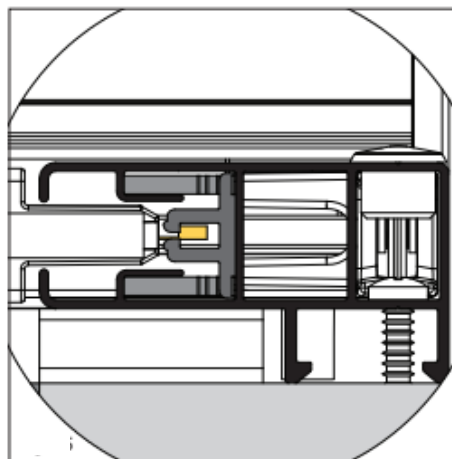
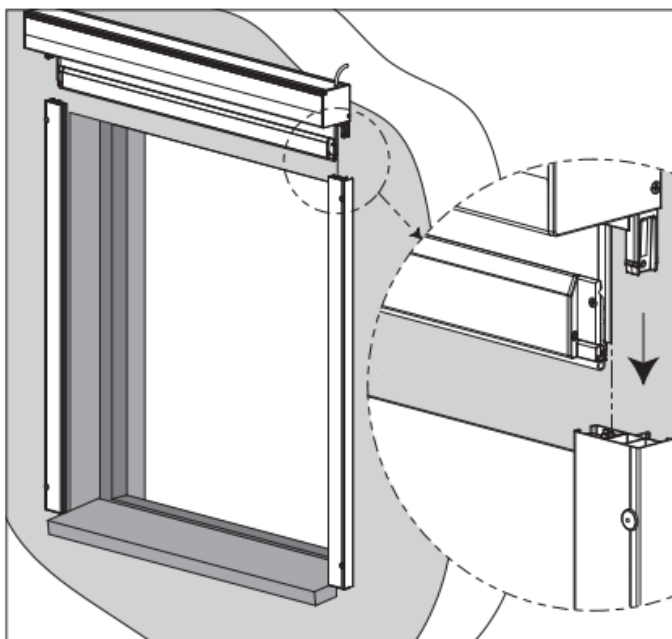
Screw the guide rails to the mounting surface. Make sure the top of the guide rails are positioned at exactly the same height and are level.

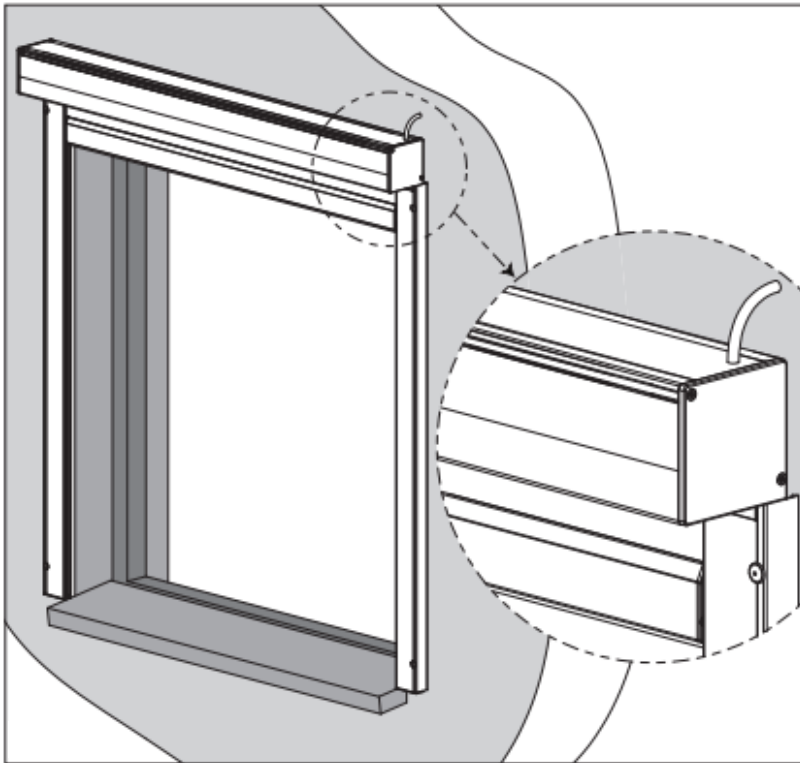
Step 3: Sliding the screen box onto the guide rails

Lift the box and feed the motor cable to the inside.

Slide the screen box so the console pivots fit into the corresponding hole chambers of the lateral guide rails.

Make sure the sliding blocks of the bottom slat enter the guide rail slots correctly and the zipper on the fabric slides into U-shaped part of the plastic guide profile.





Make sure the box is always securely mounted. See section „Installation of controls“.

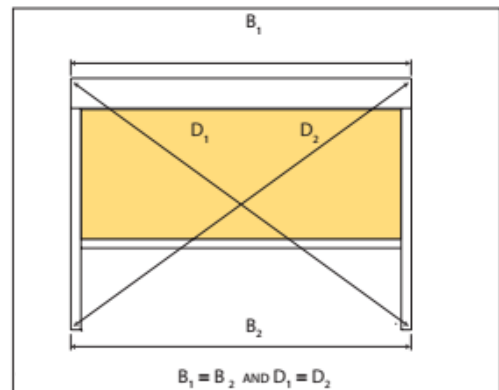
2.6. CHECKING FOR SQUARENESS

Always make sure the screen is installed perfectly level and square. There is only one way to check and correct this.

1. First check whether the box is mounted perfectly level.
2. Check whether the guide rails run parallel to each other and perpendicular to the box. Measure the diagonals to the nearest millimetre. Start directly beneath the box. Deviations of more than 2 mm may cause the fabric and/or bottom slat to get stuck or the fabric to hang loosely.
3. Next measure the diagonals to the nearest millimetre.

If the box and guide rails are not mounted properly, the bottom slat will always roll into the box at an angle, resulting in diagonal creases in the fabric.

Once the screen has been accurately positioned and mounted, any small gaps between the guide rails and wall (box and wall) can be sealed with silicon caulk.



3. GENERAL INFORMATION

3.1. CHECKING THE INSTALLATION

The installation is checked by testing its functionality. The screen is lowered and raised again. This should proceed smoothly, and no creases should develop during lowering.

3.2. MOUNTING THE BOX

This can be done in several ways:

- Secure the box by hanging it from the mounting brackets (see method 1), or
- - Open the box. Remove the fabric roll from the box by tapping upwards on the fabric roll so the end pops out of the click-in retainer. Affix the box to the mounting surface with the extra pan head screws (through the back or the top of the box). Do this for each console and in the centre. Re-install the fabric roll and the box cover.

3.3. FINISHING

Space between screen box and wall

Apply a small amount of silicon caulk in the gap between the screen box and mounting surface in order to prevent any potential movement.

To fill the gaps at the top and the sides (between the screen box and the mounting surface when mounting brackets are used), you can use joint sealing strip or the special U-profile (see points G3 and G4) which is available separately..

Space between guide rails and wall

Apply a small amount of silicon caulk in the gap between the guide rails and mounting surface in order to prevent any potential movement.

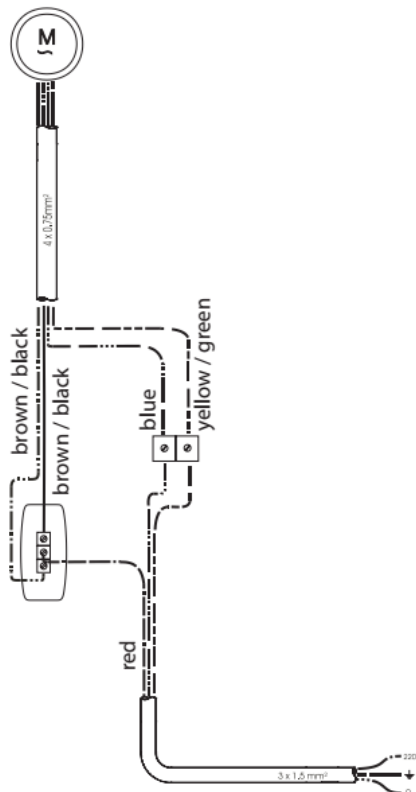
4. INSTALLATION OF CONTROLS

4.1. ELECTRICAL CONNECTIONS

Note: The connections must be made by a qualified installer (refer to guarantee card 2.1). Electrical installation and connection diagrams must be followed correctly. The electrical accessories employed must comply with the current standards and/or requirements.

4.1.1. WIRING DIAGRAM FOR A SINGLE POLE SWITCH

The motor has 4 wires. Yellow/green (earth), blue (neutral), brown and black (up and down control). There should be three wires available from the protected mains circuit. Yellow/green (earth), blue (neutral) and phase wire. Connect the wires according to the diagram. The phase wire from the electrical mains is connected to terminal L. If necessary, exchange the brown and the black wires from the motor at the switch so that the arrows on the switch correspond to the up and down movement of the screen. The two earth wires are connected together by means of separate wire clamps. The same applies for the two neutral wires.



Connecting and installing the motor:

Lead the motor cable to the control switch until it is out of sight where possible.

Connect the motor cable and the power supply to the single pole switch. See above.

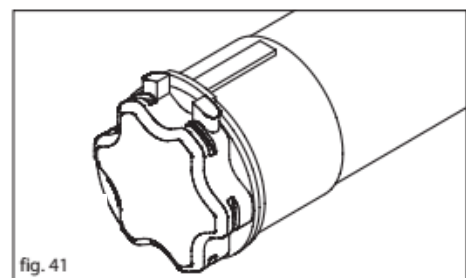
Exchange the brown and black wire if necessary so the arrows on the switch correspond with the movement.

When two or more motors are connected to a single switch, use of one or more relay boxes is required. Refer to diagram RI2 for making the connections.

Remark concerning the motor:

If the motor is of the standard LT type, you can continue following the instructions in this manual. For the LS motor, the stop positions are not set with push buttons but rather with Allen key setting pins (consult the accompanying manual).

If an Altus RTS type is used, consult the instructions that accompany the motor.



4.1.2. CALIBRATING THE MOTOR – LIMIT SWITCHES

It is necessary to connect the motor cables according to the drawing from the supplier and must be carried out by trained professionals. The entire electrical line must be de-energized during connection. The motors are in the factory settings, and during assembly it is necessary to perform the settings according to the manufacturer's instructions, including the end stops.

ATTENTION! The lower end position must never be exceeded. This could lead to reverse winding of the fabric and damage to the roller shutter.

4.1.2.1. LOWERING THE SCREEN WITH THE MOTOR – SETTING THE END POSITION DOWN

Lower the screen with the motor. Make sure it stops at the correct point and not past the lower stop position, as the screen could otherwise be rolled up in reverse, causing damage.

The motor limit switches have not been calibrated. Both buttons on the motor have been completely pushed in at the factory (or press them both in if that is not the case). As a result, the motor will not stop on its own.

Lower the screen until the desired bottom position has been reached. Then put the switch in its neutral position.

Now push the white button (or yellow button, depending on the orientation of the motor) so the button pops out slightly. The lower stop position has now been set.

4.1.2.2. RAISING THE SCREEN WITH THE MOTOR – SETTING THE END POSITION UP

Now raise the screen with the motor. Make sure it stops in time, just below the upper stop position. Then put the switch in its neutral position.

Now push the yellow button (or white button, depending on the orientation of the motor) so the button pops out slightly. The upper stop position has now been set.

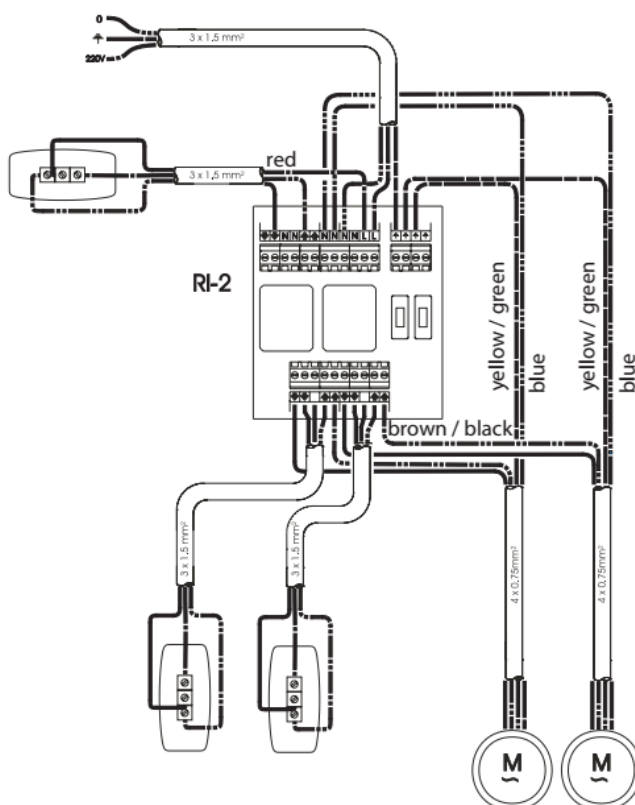
The two stop positions have now been set.

If it becomes necessary to calibrate the motor stop positions again, the procedure can be repeated by simply pushing in both buttons. This clears the stop position settings so new settings can be made by following the instructions beginning at 4.2.2.

Why use an RI2 relay box?

If several LT or LS motors are operated using the same switch, you must always use a relay box. If relay boxes are not used, the system will oscillate and the resulting high inductive and capacitive voltages will burn out the switches inside the motor housing.

Thus heed the following advice: Always use the relay boxes and switches supplied by us, to control two or more motors with a single switch.



The same applies when using an wind/sun automatic controller.

4.2. CRANK HANDLE OPERATION WITH EYE

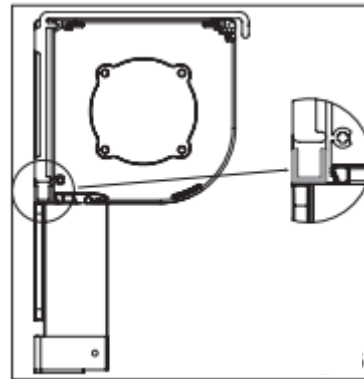
In this case, the screen box is fitted with a long, metal eye. A crank handle rod with a hook can be hooked onto this to operate the screen.

After operating the screen, unhook the crank handle rod and store it indoors in a dry area.

5. INSTALLATION OPTIONS

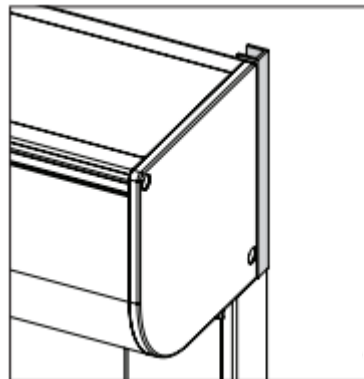
5.1. FITTING THE U-CHANNEL 10X10X10X1.5 MM, HORIZONTAL

If a loose U-channel is supplied, it can be used to conceal the electrical cable for the motor so that the cable can run on top of or behind the box from one side to the other. Press the cable into the U-channel and apply a thin layer of silicone caulk to one side of the U-channel, then press the side of the channel with the caulk flat against the top of the box, neatly aligned and parallel to the rear edge of the box.



5.2. FITTING THE U-CHANNEL 10X10X10X1.5 MM, VERTICAL

To fill the gap behind the box in line with the guide rails, you can use a U-channel that is available separately. Attach the U-channel to the back of the box with caulk, with the back of the profile in the same plane as the console.



5.3. FITTING THE 30X20X2 MM ANGLED PROFILE TO THE BOX

This angled profile can be fitted on top of the box:

- in order to mount the box more securely if you do not wish to use mounting brackets. Make sure the mounting screws cannot damage the fabric.
- to finish or seal the gap between the box and the wall.

6. TROUBLESHOOTING AND REPAIRS

6.1. THE SCREEN WILL NOT ROLL UP OR DOWN:

- The limit switches inside the motor have not been calibrated in either direction. Push in both calibration buttons and proceed with the setting of the limit switches.
- The motor cable has been extended and there is a poor connection. Check the connections.
- The motor has overheated and the thermal protection has shut it off. Allow it to cool for a half hour.
- Incorrect calibration of the limit switches.
- No voltage at the switch. Check with a voltmeter.
- Motor is not connected correctly. Check the wiring diagram.

6.2. THE MOTOR HUMS:

- Check whether everything can move freely in both directions. Is anything jammed?
- The motor capacitor is burned out (due to incorrect motor connection).
- The motor is not connected correctly: check the connection of motor cables to the switch using the diagram mentioned above. A phase wire (brown or black) has been exchanged with the neutral wire (blue). The motor does run in one direction, but it only hums when run in the other direction.

6.3. THE MOTOR DOES NOT STOP IN TIME:

- Incorrect calibration of limit switches.

6.4. BOTTOM SLAT IS NOT HORIZONTAL WHEN IT REACHES THE TOP:

- The guide rails are parallel but not perpendicular to the box. First check whether the box is perfectly level, then measure along the diagonals and correct the installation.

6.5. BOTTOM SLAT DROPS OUT OF THE LATERAL GUIDE RAILS:

- Check whether the end stops are fitted at the bottom of the guide rails.

6.6. THERE IS TOO LITTLE TENSION ON THE FABRIC; THE BOTTOM SLAT STICKS OR JAMS WHEN THE SCREEN IS LOWERED OR RAISED:

- Check the alignment of the guide rails; perhaps the bottom slat is being jammed at a point where the guide rails are too close together.
- The zipper is not fitted into the grey U-shaped part of the plastic guide profile.
- The bottom slat is not hanging from the fabric but rather is resting on the window sill or another object.

6.7. CREASING AND BILLOWING OF THE SCREEN:

- Box and/or guide rail is not perfectly level. Check both with a spirit level; refer to 2.6.

6.8. THE MOTOR'S DIRECTION OF THE ROTATION DOES NOT MATCH THE ARROWS ON THE SWITCH:

- Exchange the brown wire and black wire in the switch.

6.9. THE SCREENS DO NOT STOP, THEY JUST CONTINUE TO ROLL UP AND DOWN:

- Use a relay box (RI2).

6.10. AUTOMATIC OPERATION DOES NOT OPERATE PROPERLY:

- Refer to assembly instructions: wind/sun automatic controller

6.11. THE BOX IS SAGGING IN THE MIDDLE:

- Fit a mounting bracket at the middle of the box, or secure the middle of the box to the mounting surface in some other manner. Refer to 3.2..

6.12. TO REPLACE THE FABRIC, PERFORM THE FOLLOWING STEPS:

- Roll the entire screen back onto the fabric roll if that is still possible.
- Remove the cover.
- Remove the fabric roll from the retainer.
- Remove the bottom slat from the guide rails (see illustration).
- Detach the zipper and fabric from the sliding blocks.
- Pull the bottom slat off of the fabric.
- Unroll the fabric from the fabric roll.
- Pull the fabric off of the fabric roll.
- Take the new fabric.
- Pull the fabric onto the fabric roll.
- Roll the fabric around the fabric roll.
- Pull the bottom slat onto the fabric.
- Attach the zipper and fabric to the sliding blocks.
- Twist the bottom slat into the guide rail; make sure the zipper enters the U-shaped part of the plastic guide profile correctly.
- Place the fabric roll in the retainer.
- Reattach the cover.
- Lower the screen and test whether everything works properly.

